

Kemro

DM 276/A

**Digital Input/Output module
Project engineering manual V1.07**

Translation of the original instructions

KEBA[®]

Automation by innovation.

Document : V1.07 / article no.: 1000462
Filename : dm276apjen.pdf
Pages : 28

© KEBA 2011

Specifications are subject to change due to further technical developments. Details presented may be subject to correction.

All rights reserved.

A: KEBA AG, Gewerbepark Urfahr, A-4041 Linz, Tel.: +43 732 7090-0, Fax: +43 732 7309-10, E-Mail: keba@keba.com

D: KEBA GmbH Automation, Leonhard-Weiss-Straße 40, D-73037 Göppingen, Tel.: +49 7161 9741-0, Fax: +49 7161 9741-40, E-Mail: keba@keba.com

US: KEBA Corp., 100 West Big Beaver Road, Troy, MI 48084, US, Tel.: +1 248 526-0561, Fax: +1 248 526-0562, E-Mail: usa@keba.com

CN: Beijing Austrian KEBA Science and Technology Development Ltd., Room B516, Nan Xin Cang Tower, A22 Dong Si Shi Tiao, Dong Cheng District, Beijing, 100027, P.R. China, Tel. +86 10 6409-6592, Fax +86 10 6409-6312, E-Mail: china@keba.com

www.keba.com

Record of Revision

Version	Date	Change in chapter	Description	changed by
1.00	11-2006		Newly created	meis
1.01	07-2007		New structuring of the project engineering manual	meis
1.02	11-2007	Technical data	detailed power ratings	meis
1.03	12-2007		Various changes	meis
1.04	06-2008	Front view, setting the address	Information on electronic type plate added	meis
1.05	06-2010		changed to EN 61131-2:2007	wgr
1.06	08-2010	Interrupt inputs, Declaration of conformity	updated	hasl
1.07	08-2011	Introduction	Hint "not for end customers" added, various minor updates.	fstl

Table of Contents

1	Introduction.....	7
1.1	Purpose of the document.....	7
1.2	Preconditions.....	7
1.3	Intended use.....	8
1.4	Notes on this document.....	8
1.4.1	Contents of the document.....	8
1.5	Documentation for further reading.....	8
2	Safety notes.....	10
2.1	Representation.....	10
2.2	General safety instructions.....	10
3	Description of the module.....	12
3.1	Front view.....	12
3.2	Accessories.....	13
3.2.1	Connector strip.....	13
4	Connections and wiring.....	14
4.1	Power supply.....	14
4.2	Digital inputs.....	14
4.2.1	Connection example.....	15
4.2.2	Connection diagram.....	16
4.2.3	Status display.....	16
4.3	Interrupt inputs.....	16
4.3.1	Connection example.....	17
4.3.2	Connection diagram.....	18
4.4	Digital outputs.....	18
4.4.1	Connection example.....	19
4.4.2	Status display.....	19
4.4.3	Connection diagram.....	20
4.5	EMC and wiring guidelines.....	20
5	Configuration.....	21
5.1	Setting the K-Bus address.....	21
6	Operating behavior.....	22
6.1	Short-circuit.....	22
6.1.1	Short circuit scan not activated (default configuration).....	22
6.1.2	Short circuit scan activated.....	22
6.2	Debouncing.....	22
6.3	Switching inductive loads.....	23
6.3.1	Connection diagram.....	23
6.4	Parallel arrangement of digital outputs.....	23

7	Disposal	24
7.1	Disposal of the module.....	24
8	Technical data	25
8.1	In general.....	25
8.2	Environmental conditions.....	25
8.3	Digital inputs.....	25
8.4	Interrupt inputs.....	25
8.5	Digital outputs.....	26
8.6	Interface.....	26
8.7	Dimensions, weight.....	26
9	EC directives and standards	27
9.1	EC directives.....	27
9.2	Standards.....	27
9.2.1	General procedures and safety principles.....	27
9.2.2	EMC guideline.....	27
9.2.3	Electrical safety and fire protection.....	27
9.2.4	Environmental and surrounding conditions.....	27
9.3	Standards for the American market.....	27
9.3.1	UL test for industrial control equipment.....	27
10	Declaration of conformity	28

1 Introduction

1.1 Purpose of the document

This document describes the structure of the DM 276/A (digital input/output module).

Information

This manual is not addressed to end costumers! Necessary safety notes for the end costumer have to be taken into the costumer manual in the respective national language by the machine builders and system providers.

1.2 Preconditions

This document contains information for persons with the following skills:

Target group	Knowledge and skills pre-requirement
Project engineer	<p>Basic technical training (University of Applied Science/University level, engineering degree or corresponding professional experience).</p> <p>Knowledge in:</p> <ul style="list-style-type: none"> • working mode of a PLC, • safety regulations, • the application.
Operator	<p>Basic technical training (Vocational high school, engineering degree or corresponding professional experience).</p> <p>Knowledge in:</p> <ul style="list-style-type: none"> • safety regulations, • working mode of machine or plant, • principal functions of the application, • system analysis and troubleshooting, • setting options at the operating installations.
Service technician	<p>Basic technical training (Vocational high school, engineering degree or corresponding professional experience).</p> <p>Knowledge in:</p> <ul style="list-style-type: none"> • working mode of a PLC, • safety regulations, • working mode of machine or plant, • diagnosis possibilities, • systematic error analysis and rectification.

1.3 Intended use

The DM 276/A was developed for control applications in industrial machines. The typical applications areas include injection molding machines, robots, presses, machine tools and similar.

The DM 276/A may only be used for the types of use described in the technical descriptions and only in conjunction with recommended/approved third-party equipment/installations.

The DM 276/A has been developed, manufactured, tested and documented in accordance with the appropriate safety standards. Therefore, the products do not pose any danger to the health of persons or a risk of damage to other property or equipment under normal circumstances, provided that the instructions and safety precautions relating to the intended use are properly observed.

1.4 Notes on this document

This manual is integral part of the product. It is to be retained over the entire life cycle of the product and should be forwarded to any subsequent owners or users of the product.

1.4.1 Contents of the document

- Description of the DM 276/A
- Description of wiring (including EMC guidelines)
- Technical data

1.5 Documentation for further reading

The following documents are to be observed depending on the system solution used:

If you are using the KeStudio U2 tool suite:

Doc.No.	Name	Target group
DE: 65352 EN: 65353	K2-200 automation system manual	<ul style="list-style-type: none"> • Project engineer • Electrician • Programmer • Commissioning foreman • Service technician

If you are using the KeStudio U3 tool suite:

Doc.No.	Name	Target group
DE: 1000868 EN: 1000869	System manual Kemro automation system	<ul style="list-style-type: none">• Project engineer• Electrician• Programmer• Commissioning foreman• Service technician

2 Safety notes

2.1 Representation

At various points in this manual you will see notes and precautionary warnings regarding possible hazards. The symbols used have the following meaning:



DANGER!

- indicates an imminently hazardous situation which will result in death or serious bodily injury if the corresponding precautions are not taken.
-



WARNING!

- indicates a potentially hazardous situation which can result in death or serious bodily injury if the corresponding precautions are not taken.
-



CAUTION!

- means that if the corresponding safety measures are not taken, a potentially hazardous situation can occur that may result in property injury or slight bodily injury.
-

CAUTION

- CAUTION used without the safety alert symbol indicates a potentially hazardous situation which, if not avoided, may result in damage to property.
-



- This symbol reminds you of the possible consequences of touching electrostatically sensitive components.
-

Information

Useful practical tips and information on the use of equipment are identified by the "Information" symbol. They do not contain any information that warns about potentially dangerous or harmful functions.

2.2 General safety instructions



WARNING!

- It is absolutely essential to observe the safety instructions in the system manual.
 - The module is defined as "open type equipment" (UL508) or as "offenes Betriebsmittel" (EN 61131-2) and must therefore be installed in a control cabinet.
-

CAUTION

Improper use of the assembly or the control system leads to irreparable damage!

- Turn off the power supply before inserting or removing the module. Otherwise, the module can be destroyed or undefined signal states can lead to damage of the control system.
-

3 Description of the module

The DM 276/A is a digital input/output module.

3.1 Front view

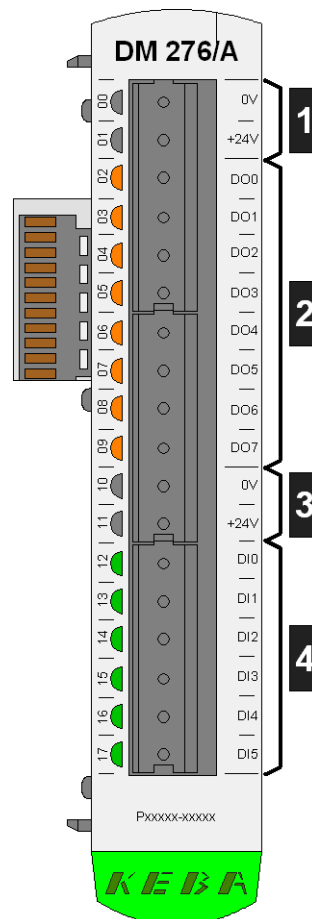


Fig.3-1: DM 276/A Front view

1 ... Power supply of the digital outputs	2 ... 8 digital outputs
3 ... Power supply of the digital inputs	4 ... 6 digital inputs (DI0 and DI1 interruptible)

Information

The type plate is stored on the module in an EEPROM and can be read out by the application.

3.2 Accessories

3.2.1 Connector strip

Input-/output signals: Standard male connectors with grid dimension 5.08 mm

The following female connectors can be used for the DM 276/A:

Female connector	Color	Order no. Weidmüller
2-pole	sw	BLZF 5.08/2 SN SW - 170769
4-pole	sw	BLZF 5.08/4 SN SW - 170771
6-pole	sw	BLZF 5.08/6 SN SW - 170773
8-pole	sw	BLZF 5.08/8 SN SW - 170775

Information

Larger terminal blocks may be used to group multiple signals. The current carrying capacity of the terminal block is thus, however, reduced (according to derating curve of the terminal block manufacturer.)

The appropriate female connectors are not included in the delivery of KEBA, but can be purchased from KEBA.

The technical data for the terminals are contained in the technical data sheet of the manufacturer of the female connectors.

For further information see System manual.

4 Connections and wiring

CAUTION

- When switching off the control, the power supply of the DM 276/A must be disconnected before or at the same time as the power supply of the CPU module. In case of non-observance the outputs of the module may have undefined states for a short time.
-

Digital inputs and outputs are supplied separately:

- Terminals 00 and 01: Supply of the 8 digital outputs
- Terminals 10 and 11: Supply of the 6 digital inputs

4.1 Power supply



WARNING!

Danger of personal injury due to electric shock!

- Supply the device exclusively from power sources that have an extra low voltage (e.g. SELV or PELV according to EN 61131-2)
 - Connect only voltages and power circuits to connections, terminals and interfaces up to 50 V rated voltage that have a secure disconnect for hazardous voltages (e.g. with sufficient isolation).
-



CAUTION!

Fire hazard during module failure!

- Provide suitable fuses for the 24 V DC power supply for the final application. Only fuses with a maximum nominal disconnecting current of 10 A may be used.
-

4.2 Digital inputs

For the processing of external digital signals, 6 digital inputs of type 1 (according to EN 61131-2) are available. They share a common ground potential but are isolated for the evaluation logic. The switching status "high" is indicated by green LEDs on the left side of the connector strip.

4.2.1 Connection example

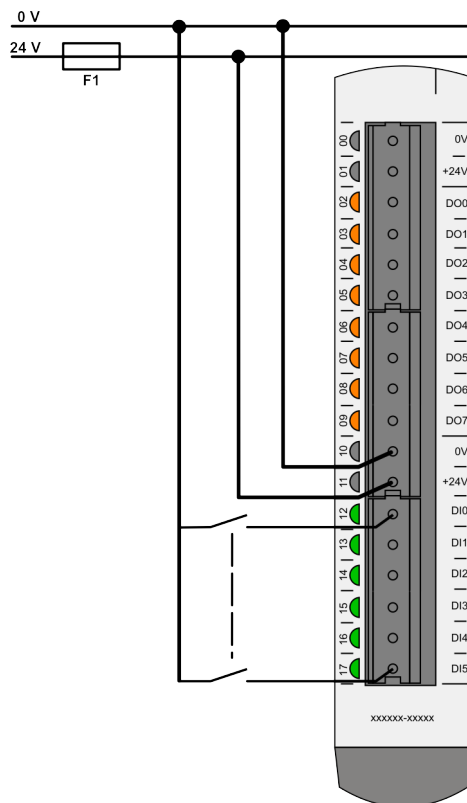


Fig.4-1: Connection example for digital inputs

Information

- The reference potential for the isolated digital inputs is the 0 V terminal that is located on the front side.
- For operation of the digital inputs the DM 276/A must be supplied by the 0 V- and 24 V-terminals located on the front side.

4.2.2 Connection diagram

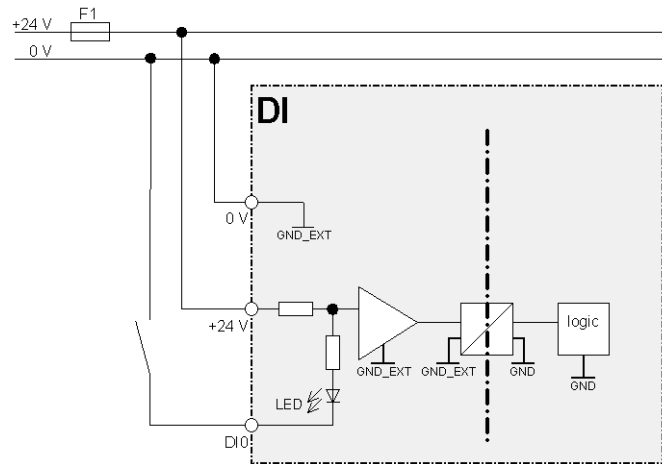


Fig.4-2: Input diagramm

4.2.3 Status display

Green LEDs for indicating the signal status on the left side of the inputs.

- LED is lit: Input on "1"
- LED is dark: Input on "0"

4.3 Interrupt inputs

The digital inputs DI0 and DI1 can also be used as interrupt inputs for the speedy processing of external digital signals. They share a common ground potential but are isolated for the evaluation logic. The switching status "high" is indicated by green LEDs on the left side of the connector strip.

4.3.1 Connection example

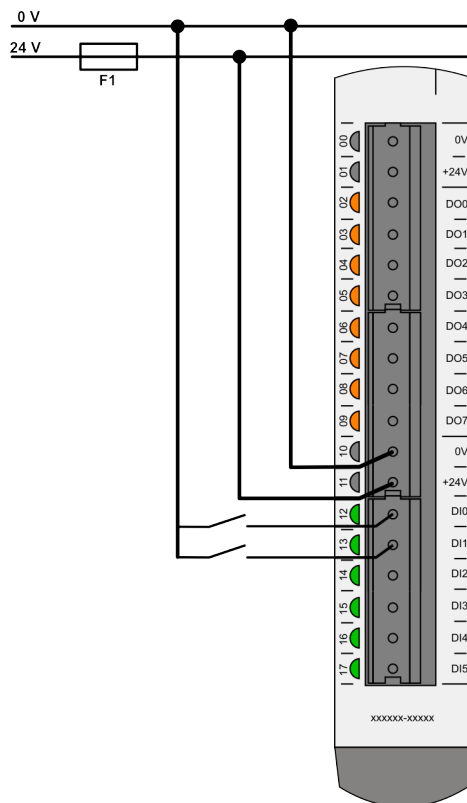


Fig.4-3: Connection example for interrupt inputs

CAUTION

Interfering impulses over 10 V may trigger an unwanted interrupt event.

4.3.2 Connection diagram

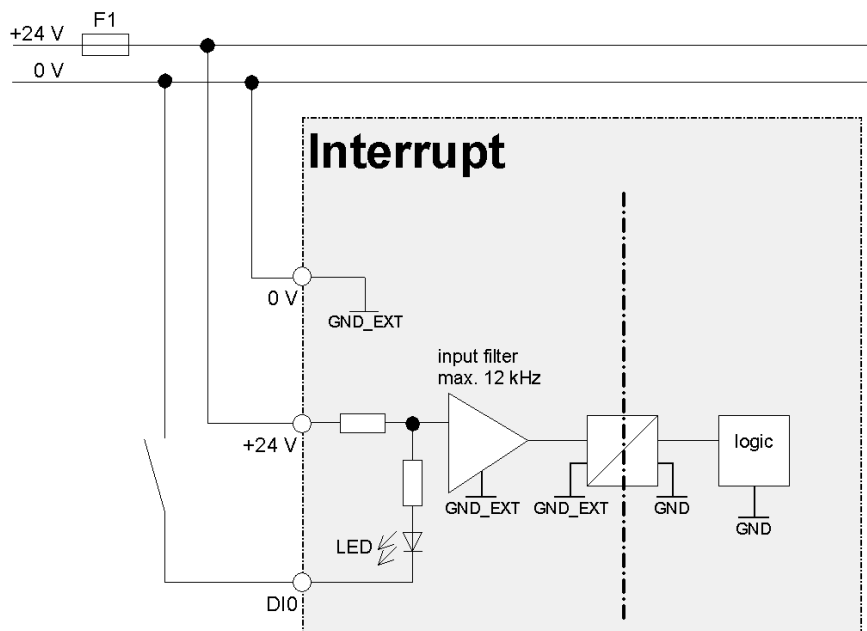


Fig.4-4: Interrupt diagram

4.4 Digital outputs

There are 8 digital outputs available to activate the digital actors. They share a common ground potential but are isolated for the evaluation logic.

DM 276/A: 2 A nominal current at 50% coincidence

The nominal voltage supplying the group is 24 V DC. The status of the corresponding output is indicated by the orange status LEDs.

4.4.1 Connection example

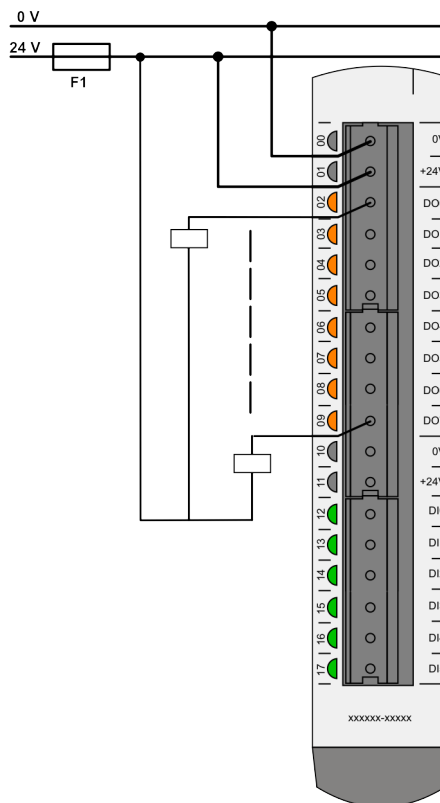


Fig.4-5: Connection example for digital outputs



CAUTION!

- Wrongly plugging the supply terminal blocks one position downwards, can lead to the destruction of the module.
- Even if one of the 0V pins is not connected, the digital outputs still function. However, the LEDs do not light up in this case and the status of the digital outputs is not correctly indicated.

4.4.2 Status display

Orange LEDs for indicating the signal status on the left side of the outputs.

- LED is lit: Output to "1"
- LED is dark: Output to "0"

4.4.3 Connection diagram

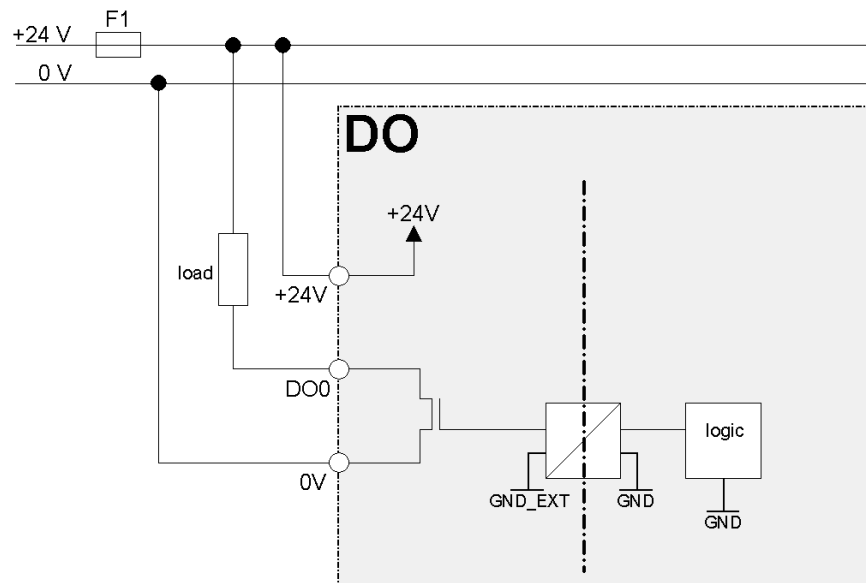


Fig.4-6: Output diagramm

4.5 EMC and wiring guidelines

Pay attention from the outset to careful wiring and shielding.

Further information: See system manual.

5 Configuration

General information

A Kemro system needs data for the configuration of system performance, its I/O-devices and interfaces. The system reads this data during the start-up operation and allocates them to its components and devices.

Configuration data is created by included configuration tools or by editing configuration files.

For further information to the configuration see the documentation of the included configuration tool.

5.1 Setting the K-Bus address

The module is addressed via the address switch. A maximum of 12 modules of the same type can be distinguished on one line.

The address switch is located on the right side underneath the lower cover (the K-Bus plug is located underneath the upper cover).

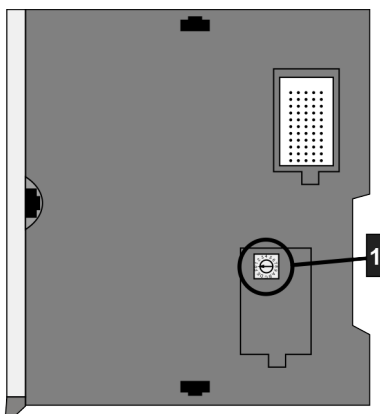


Fig.5-1: Position of the address switch

1 ... Address switch

On leaving the factory all modules are set to address 0 and both covers are closed.

Information

Modules of the same type that are installed within the same line must have different address switch positions. Different modules (e.g. analog and digital modules) may have the same address switch positions.

The two covers for the K-Bus plug and the address switch must remain locked at the last module in the line (to protect against dirt and damage through electrostatic discharge on contact).

6 Operating behavior

6.1 Short-circuit

The behavior of the module in the event of a short circuit is determined by the configuration.

6.1.1 Short circuit scan not activated (default configuration)

When a short circuit occurs, all active output of the affected group are switched off, the system variables of the outputs are set to `TRUE` and an error message is generated.

If the control continues to signal a logical 1 (output switched on) there is a cyclical test to see whether the blocked outputs are still short circuited. The periodic attempts to switch on can be set via a configuration entry. After the short circuit has been rectified, the status variables are reset, information about the rectification of the error is generated, and the outputs become available again. The outputs that were not active when the short circuit occurred continue to function without any restriction. If after a short circuit another short circuit occurs on a further output, the same procedure as for existing faulty outputs applies.

6.1.2 Short circuit scan activated

In order to clearly identify the output that is causing the short circuit, the short circuit scan can be activated in the configuration. In this case the outputs that were active during the short circuit are switched on in succession for approx. 10 ms and tested for a short circuit. The affected output is switched off, the status variable of the output is set to `TRUE` and the output is blocked. An error message for the short-circuited output is generated. The behavior during re-activation is the same as the one described above without a short-circuit scan. After the short circuit has been rectified, the status variables are reset, information about the rectification of the error is generated, and the output becomes available again.

6.2 Debouncing

The inputs are filtered with a default debouncing time of 1 ms.

To suppress interference signals from switches, keys etc, a debouncing time of 100 ms can be set in the configuration. The signal must therefore be applied for at least 100 ms at the input, for it to be recognized and processed by the system.

Information

The debouncing function is possible only when the digital input is not used as interrupt input.

If the input is configured as interrupt input, debouncing takes automatically place with 34 μ s (the configuration parameter is not relevant).

6.3 Switching inductive loads

The module contains no internal freewheeling diode to take up the inductive energy when switching off the inductive loads.

The inductive load capability for each channel is 1 J at 0.2 Hz.

The inductive energy is transformed into heat by the switching transistor. It sets itself a voltage of approx. -60 V at the switching transistor. This allows for a swifter breakdown of the energy than would be possible when using the free-wheeling diode.

Information

The load capacity of the outputs for inductive loads can be raised by adding an external freewheeling diode, which will, however, significantly increase the switch-off time. In the case of high load currents, higher values of inductance or greater switching frequency, a freewheeling diode must always be used.

6.3.1 Connection diagram

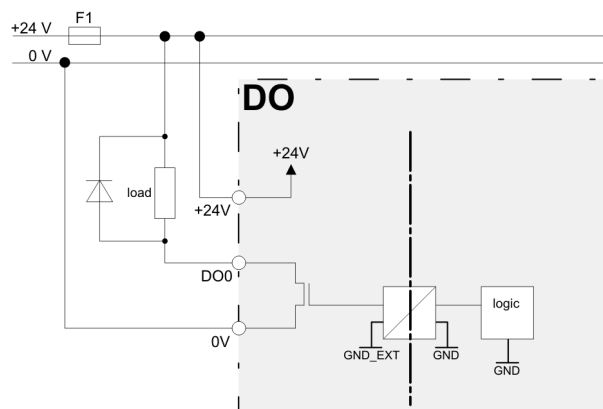


Fig.6-1: Schematic diagram for the use of a freewheeling diode

6.4 Parallel arrangement of digital outputs

Two digital outputs can be switched parallel. This doubles the nominal current. The inductive load capacity of the outputs, however, is not increased.

7 Disposal

7.1 Disposal of the module

CAUTION

Please observe the regulations regarding disposal of electric appliances and electronic devices!



- The symbol with the crossed-out waste container means that electrical and electronic devices including their accessories must not be disposed of in the household garbage.
- The materials are recyclable in accordance with their labeling. You can make an important contribution to protecting our environment by reusing, renewing and recycling materials and old appliances.

8 Technical data

8.1 In general

Power supply voltage:	24 V DC from the front (19.2 V to 30 V, acc. to IEC61131-2)
	24 V DC from K Bus
	5 V DC from K Bus
Overvoltage category:	II
Equipment class:	III according to EN 61131-2:2007
Addressing at K-Bus:	Via 16-digit address switch, on the side
Connection terminals:	Open terminals, grid dimensions 5.08 mm
Max. power consumption K Bus 24 V:	1.9 W
Max. power consumption K Bus 5 V:	0.4 W

8.2 Environmental conditions

Operating temperature:	+5 °C to +55 °C
Storage temperature:	-40 °C to 70 °C
Relative humidity of air:	10 % to 95 % (non condensing)
Vibration resistance:	according to EN 61131-2:2007
Shock resistance:	according to EN 61131-2:2007

8.3 Digital inputs

Number of inputs:	6
Input type:	Type 1 (according to EN 61131-2:2007)
Voltage range for HIGH:	$15 \text{ V} \leq U_H \leq 30 \text{ V}$
Voltage range for LOW:	$-3 \text{ V} \leq U_L \leq 5 \text{ V}$
Cycle time:	1 ms
Status display:	Green LED
Galvanic isolation:	Yes
	Electrical strength 707 V with open ground
Circuitry:	Source

8.4 Interrupt inputs

Number of inputs:	2 (DI0, DI1) of the digital inputs
Input type:	Type 1 (according to EN 61131-2:2007)
Voltage range for HIGH:	$15 \text{ V} \leq U_H \leq 30 \text{ V}$
Voltage range for LOW:	$-3 \text{ V} \leq U_L \leq 5 \text{ V}$
Response time of the K-Bus Interrupt:	50 μs

Status display:	Green LED
Galvanic isolation:	yes

8.5 Digital outputs

Number of outputs:	8
Rated voltage:	24 V DC
Processing time:	1 ms
Rated current:	2 A at 50% coincidence
Protection device:	Short circuit protection
Max. inductive load:	1 J at max. 0.2 Hz
Status display:	Orange LED
Galvanic isolation:	Yes, to selection electronics and among themselves. Electric strength: 707 V with unsewed ground connection

8.6 Interface

System bus interface:	Parallel bus interfaces, plug-in on side
-----------------------	--

8.7 Dimensions, weight

Footprint:	
• Module height:	120 mm
• Mounting depth:	100 mm
• Front panel width:	22.5 mm
• Module width (incl. K-Bus plug):	32.5 mm
Weight:	135 g

9 EC directives and standards

9.1 EC directives

Guideline 2004/108/EG	EC guideline on electromagnetic compatibility
Guideline 2002/95/EG	RoHS guideline

9.2 Standards

To check the conformity of the system with the directives, the following non-binding legal European standards were applied:

9.2.1 General procedures and safety principles

EN 61131-1:2003	Programmable controllers - Part 1
-----------------	-----------------------------------

Information

This product was developed for the use in industrial areas and can cause radio interference when used in residential areas.

9.2.2 EMC guideline

EN 61131-2:2007	Programmable controllers - Part 2
-----------------	-----------------------------------

9.2.3 Electrical safety and fire protection

EN 61131-2:2007	Programmable controllers - Part 2
-----------------	-----------------------------------

9.2.4 Environmental and surrounding conditions

EN 61131-2:2007	Programmable controllers - Part 2
-----------------	-----------------------------------

9.3 Standards for the American market

9.3.1 UL test for industrial control equipment

UL 508, 2005	Industrial Control Equipment
--------------	------------------------------

10 Declaration of conformity



EC Declaration of Conformity



KEBA AG
Gewerbepark Urfahr
4041 Linz
AUSTRIA

Document No.: 70259/CE/1

We declare that the following product(s)

Name of product: DM 276
Variants: DM 276/A
From: Revision 06 (Mat.Nr. 70259)
Revision 06 (Mat.Nr. 74148)
Revision 08 (Mat.Nr. 71250)

is/are in conformity with the essential requirements of the following European Council Directive(s):

∞ EC-Directive relating to electromagnetic compatibility 2004/108/EC

Conformity to the directive 2004/108/EC is assured by the compliance with the applicable parts of the following harmonized european standards:

∞ EN 61131-2:2007

Important notes:

.

Any modification on the product(s), that is performed without KEBA's consent will render this declaration invalid.

This declaration certifies the conformity with the directives mentioned, but does not imply any warranty of the features of the product(s).

The safety instructions contained in the documentation supplied with the product(s) must be followed.

kemro_k2_dm276-engl1