

Kemro
SX 230/A
Serial option module
Project engineering manual V2.06

Translation of the original instructions

Document : V2.06 / article no.: 1000890
Filename : sx230apjen.pdf
Pages : 27

© KEBA 2012

Specifications are subject to change due to further technical developments. Details presented may be subject to correction.

All rights reserved.

KEBA AG Headquarters: Gewerbepark Urfahr, A-4041 Linz, Phone: +43 732 7090-0, Fax: +43 732 7309-10, keba@keba.com

For information about our subsidiaries please look at www.keba.com.

Record of Revision

Version	Date	Change in chapter	Description	changed by
1.00	09-2005		Newly created	meis
2.00	06-2006		Various changes	meis
2.01	04-2007		New structuring of the project engineering manual	meis
2.02	09-2008		Various changes	kalt
2.03	08-2010	EC directives and standards, Safety notes, Declaration of conformity	updated	hasl
2.04	08-2011	Introduction	Hint "not for end customers" added, various minor updates.	fstl
2.05	01-2012		updated	swb
2.06	09-2012	several	updated	swb

Table of Contents

1	Introduction	7
1.1	Purpose of the document.....	7
1.2	Preconditions.....	7
1.3	Intended use.....	8
1.4	Notes on this document.....	8
1.4.1	Contents of the document.....	8
1.5	Documentation for further reading.....	8
2	Safety notes	9
2.1	Representation.....	9
2.2	General safety instructions.....	9
3	Description of the module	11
3.1	Front view.....	11
4	Installation instructions	12
4.1	Inserting an option module into slot.....	12
4.2	Removing an option module.....	13
5	Connections and wiring	15
5.1	General information on wiring and shielding.....	15
5.2	Interface RS-422-A.....	15
5.2.1	Connection example.....	16
5.2.2	Pin assignment.....	16
5.2.3	Cable and plug specification.....	17
5.2.4	Bus termination interface.....	17
5.3	Interface RS-485-A.....	17
5.3.1	Connection example.....	17
5.3.2	Pin assignment.....	20
5.3.3	Cable and plug specification.....	20
5.3.4	Bus termination interface.....	20
5.4	EMC and wiring guidelines.....	21
6	Configuration	22
7	Operating behavior	23
7.1	Start-up after Power-On.....	23
7.2	Reset.....	23
8	Disposal	24
8.1	Disposal of the module.....	24
9	Technical data	25
9.1	Environmental conditions.....	25
9.2	Interface to CPU module.....	25
9.3	Serial interface.....	25

9.4	Mechanical Properties.....	25
10	EC directives and standards.....	26
10.1	EC directives.....	26
10.2	Standards.....	26
10.2.1	General procedures and safety principles.....	26
10.2.2	EMC guideline.....	26
10.2.3	Electrical safety and fire protection.....	26
10.2.4	Environmental and surrounding conditions.....	26
10.3	Standards for the American market.....	26
10.3.1	UL test for industrial control equipment.....	26
11	Declaration of conformity.....	27

1 Introduction

1.1 Purpose of the document

This document describes the structure of the SX 230/A (serial option module).

Information

This manual is not addressed to end costumers! Necessary safety notes for the end costumer have to be taken into the costumer manual in the respective national language by the machine builders and system providers.

1.2 Preconditions

This document contains information for persons with the following skills:

Target group	Knowledge and skills pre-requirement
Project engineer	Basic technical training (University of Applied Science/University level, engineering degree or corresponding professional experience). Knowledge in: <ul style="list-style-type: none"> ● working mode of a PLC, ● safety regulations, ● the application.
Operator	Basic technical training (Vocational high school, engineering degree or corresponding professional experience). Knowledge in: <ul style="list-style-type: none"> ● safety regulations, ● working mode of machine or plant, ● principal functions of the application, ● system analysis and troubleshooting, ● setting options at the operating installations.
Service technician	Basic technical training (Vocational high school, engineering degree or corresponding professional experience). Knowledge in: <ul style="list-style-type: none"> ● working mode of a PLC, ● safety regulations, ● working mode of machine or plant, ● diagnosis possibilities, ● systematic error analysis and rectification.

1.3 Intended use

The SX 230/A may only be used for the types of use described in the technical descriptions and only in conjunction with recommended/approved third-party equipment/installations.

The SX 230/A has been developed, manufactured, tested and documented in accordance with the appropriate guidelines and standards. Therefore, the products do not pose any danger to the health of persons or a risk of damage to other property or equipment under normal circumstances, provided that the instructions and safety precautions are properly observed.

1.4 Notes on this document

This manual is integral part of the product. It is to be retained over the entire life cycle of the product and should be forwarded to any subsequent owners or users of the product.

1.4.1 Contents of the document

- Description of the SX 230/A
- Use of the option module in CPU modules
- Description of interface including EMC measures
- Technical data

1.5 Documentation for further reading

The following documents are to be observed depending on the system solution used:

If you are using the KeStudio U2 tool suite:

Doc.No.	Name	Target group
DE: 65352 EN: 65353	K2-200 automation system manual	<ul style="list-style-type: none"> • Project engineer • Electrician • Programmer • Commissioning foreman • Service technician

If you are using the KeStudio U3 tool suite:

Doc.No.	Name	Target group
DE: 1000868 EN: 1000869	System manual Kemro automation system	<ul style="list-style-type: none"> • Project engineer • Electrician • Programmer • Commissioning foreman • Service technician

2 Safety notes

2.1 Representation

At various points in this manual you will see notes and precautionary warnings regarding possible hazards. The symbols used have the following meaning:



DANGER!

- indicates an imminently hazardous situation which will result in death or serious bodily injury if the corresponding precautions are not taken.



WARNING!

- indicates a potentially hazardous situation which can result in death or serious bodily injury if the corresponding precautions are not taken.



CAUTION!

- means that if the corresponding safety measures are not taken, a potentially hazardous situation can occur that may result in property injury or slight bodily injury.

CAUTION

- CAUTION used without the safety alert symbol indicates a potentially hazardous situation which, if not avoided, may result in damage to property.



- This symbol reminds you of the possible consequences of touching electrostatically sensitive components.

Information

Useful practical tips and information on the use of equipment are identified by the "Information" symbol. They do not contain any information that warns about potentially dangerous or harmful functions.

2.2 General safety instructions



WARNING!

- It is absolutely essential to observe the safety instructions in the system manual.
- The module is defined as "open type equipment" (UL508) or as "offenes Betriebsmittel" (EN 61131-2) and must therefore be installed in a control cabinet.

CAUTION

Improper use of the assembly or the control system leads to irreparable damage!

- Turn off the power supply before inserting or removing the module. Otherwise, the module can be destroyed or undefined signal states can lead to damage of the control system.
-



When removed from its casing this module is sensitive to electrostatic discharge. Before handling the modules touch a grounded metal object in order to discharge any static electricity from your body.

3 Description of the module

The SX 230/A is a serial option module (RS-485-A/RS-422-A) for slotting in CPU modules of the type CP 23x/x, CP 25x/x or CP 26x/x.

Information

The module's functionality is only guaranteed if used within a CP 23x/x, CP 25x/x or CP 26x/x. The module is not designed for connection with foreign modules.

3.1 Front view

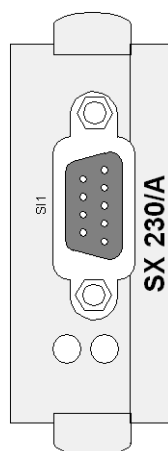


Fig.3-1: SX 230/A front view

4 Installation instructions

The module has been designed for operation with a CP 23x/x, CP 25x/x or CP 26x/x. It is inserted into **left** slot.

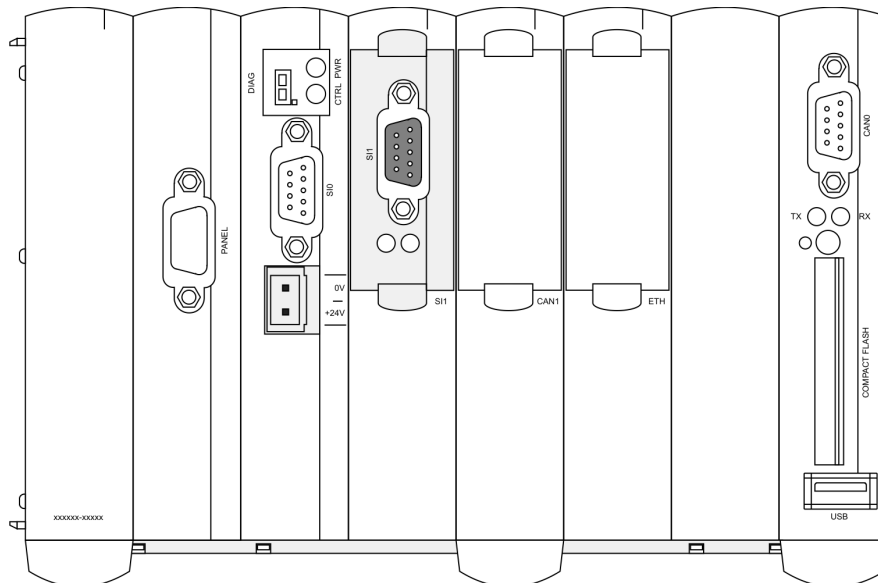


Fig.4-1: Use in a CP module

Information

The option modules may not be plugged or removed, if the CPU module switched on.

4.1 Inserting an option module into slot

- 1) Turn off the power supply.
- 2) Remove dummy module.
- 3) Insert module in the correct position (labeling "SX 230/A" right) into the left slot.

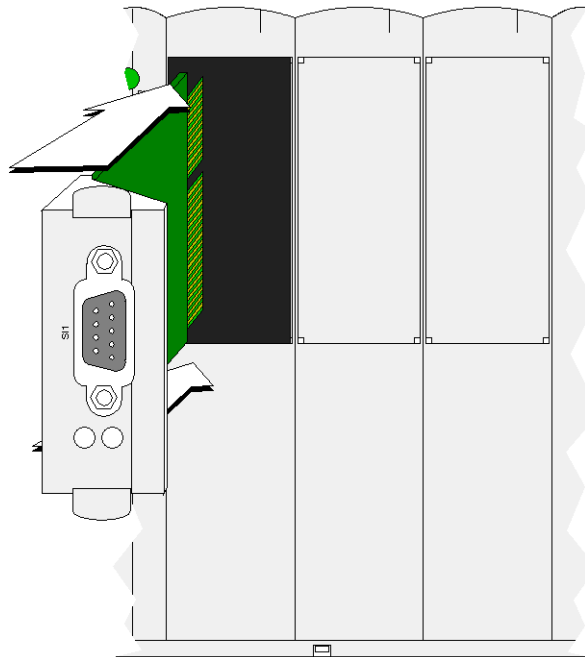


Fig.4-2: Inserting the SX 230/A option module

4.2 Removing an option module

- 1) Turn off the power supply.
- 2) Pull module from the slot.
- 3) Insert dummy module

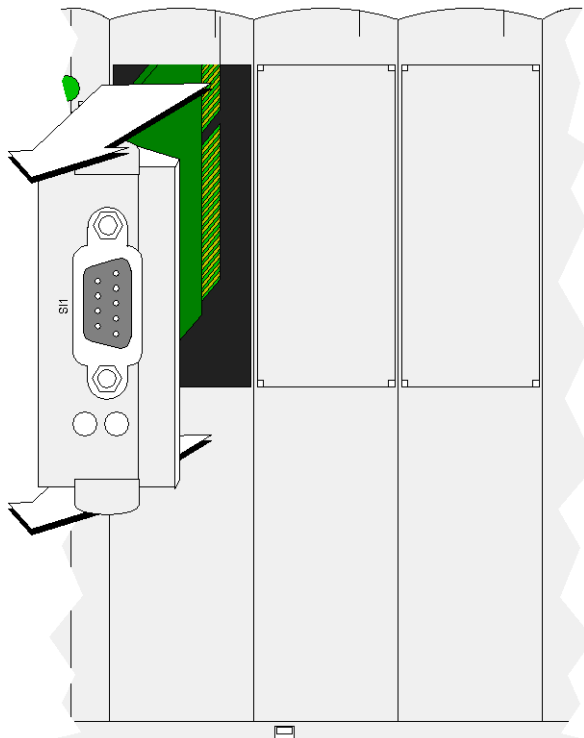


Fig.4-3: Removing the SX 230/A option module

5 Connections and wiring

The SX 230/A module can be configured to RS-422-A or RS-485-A via software.

5.1 General information on wiring and shielding

This section covers issues that concern in particular the serial interface connections.

The following is valid for all serial interfaces:

- Use shielded cables
- Contact shield directly at metallic interface plug casing

	Required cable (must be shielded in all cases)	Take account of cable termination
Current loop	Twisted paired wiring	No *
RS 232 C	Twisted pair, with signal ground	No
RS-422-A <small>unidirectional</small>	Twisted pair, with signal ground	Yes
RS-422-A <small>bidirectional</small>	2x twisted pair line with 1 signal ground	Yes
RS-485-A	Twisted pair, with signal ground	Yes

* Participants configurable in software

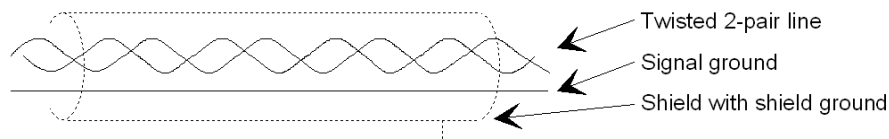


Fig.5-1: Structure of a shielded twisted pair line with signal ground

5.2 Interface RS-422-A

Via a RS-422 bus two participants can communicate. The wire has to be shielded.

5.2.1 Connection example

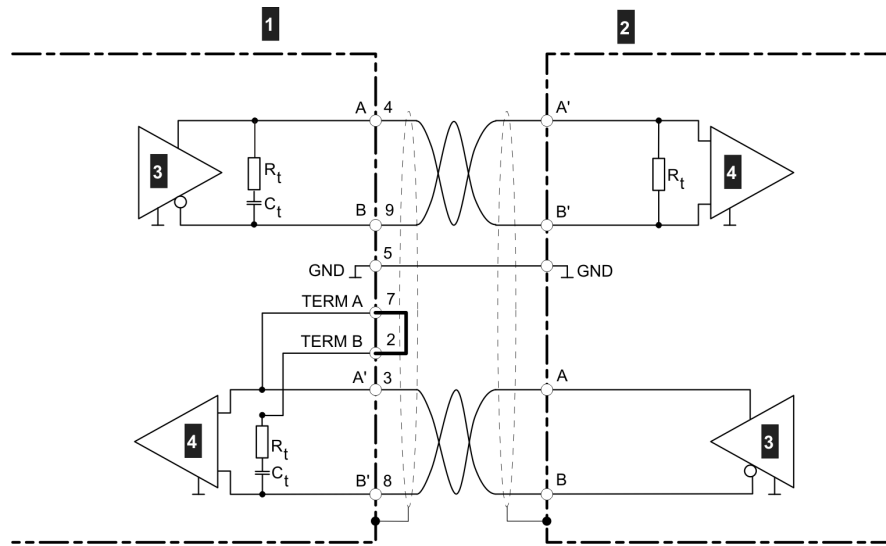


Fig.5-2: RS-422-A connection example

1 ... SX 230/A	2 ... External participant
3 ... Transmitter	4 ... Receiver

The SX 230/A is designed internally with an AC termination.

Information
There must be always a bus termination at the RS-422-A bus.

5.2.2 Pin assignment

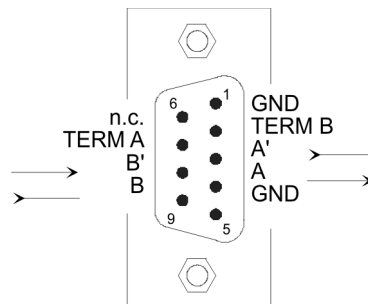


Fig.5-3: RS-422-A pin assignment

Pin no.	Signal designation		Input / Output
1	GND	ground	---
2	TERM B	Terminating resistor	---
3	A'	Receive (+)	Input
4	A	Transmit (+)	Output

Pin no.	Signal designation		Input / Output
5	GND	ground	---
6	n.c.	not connected	---
7	TERM A	Terminating resistor	---
8	B'	Receive (-)	Input
9	B	Transmit (-)	Output

5.2.3 Cable and plug specification

See System manual.

5.2.4 Bus termination interface

To activate the bus termination of SX 230/A the pins 2 and 7 (TERM A, TERM B) must always be connected.

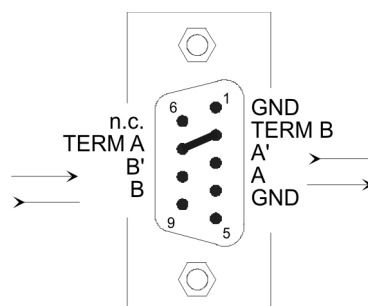


Fig.5-4: Bus termination RS-422-A

5.3 Interface RS-485-A

Several participants can communicate via the RS-485 bus at which the maximum number of participants is limited to 32. The wires to other participants have to be shielded.

5.3.1 Connection example

Depending on the bus termination the following connection examples are possible for the RS-485 bus:

- Bus termination with a terminating resistor
- Bus termination with AC termination

The SX 230/A is designed internally with an AC termination.

Information

On the RS-485-A bus the first and the last participant must have a bus termination.

Bus termination with a terminating resistor

If an external participant is terminated with a terminating resistor, for the dimensioning of the resistors it must be considered if the SX 230/A or if another external participant forms a bus termination.

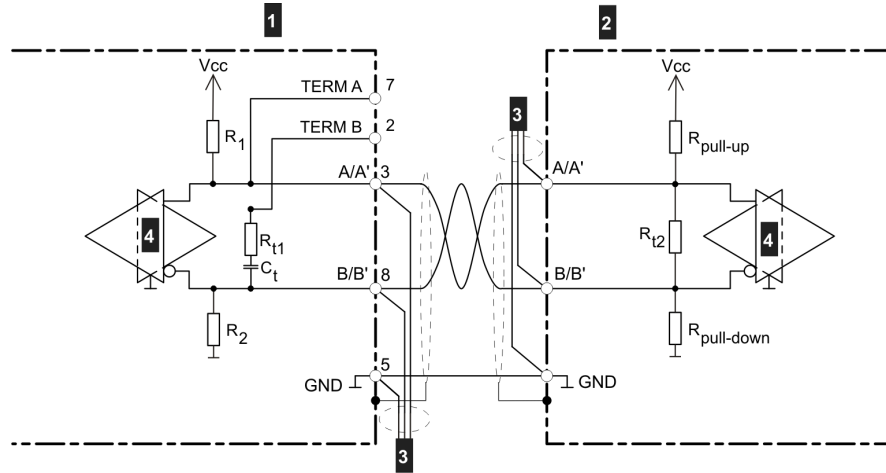


Fig.5-5: Example 1: RS-485-A interface with a terminating resistor

1 ... SX 230/A	2 ... External participant
3 ... To other participants	4 ... Transmitter / receiver
Vcc ... Supply voltage of the module	

If the SX 230/A forms a bus termination this must be activated (see [chapter 5.3.4 "Bus termination interface" on page 20](#)). If an external participant forms the bus termination it has to be equipped with a terminating resistor (R_{t2}).

The external participant which forms the second bus termination must be terminated with the resistor R_{t2} and a fail-safe circuit ($R_{pull-up}$ und $R_{pull-down}$).

Information

A fail-safe circuit has to be realized only once at the whole RS-485-A bus (R_1 and R_2 are not classified as resistors for a fail-safe circuit). The resistors $R_{pull-up}$ und $R_{pull-down}$ are pulling the RS-485 bus to a defined level even if no participant sends any data.

SX 230/A forms a bus termination:

Component values SX 230/A ($V_{cc} = 5\text{ V}$)	Component values of external participant ($V_{cc} = 5\text{ V}$)	Component values of external participant ($V_{cc} = 3,3\text{ V}$)
$R_1 = R_2 = 100\text{ k}\Omega$	$R_{pull-up}=R_{pull-down}= 750\text{ to }1200\ \Omega$	$R_{pull-up}=R_{pull-down}= 680\text{ to }820\ \Omega$
$R_{t1} = 120\ \Omega$	$R_{t2} = 120\ \Omega$	$R_{t2} = 120\ \Omega$
$C_t = 10\text{ nF}$		

Two external participants form bus termination:

Component values of external participant 1	Component values of external participant 2 (Vcc = 5 V)	Component values of external participant 2 (Vcc = 3,3 V)
--	$R_{pull-up}=R_{pull-down}= 560 \text{ to } 750 \ \Omega$	$R_{pull-up}=R_{pull-down}= 390 \text{ to } 470 \ \Omega$
$R_{t1} = 120 \ \Omega$	$R_{t2} = 120 \ \Omega$	$R_{t2} = 120 \ \Omega$

Information

The terminating resistor R_{t2} conforms to the output resistance.

Bus termination with AC termination

In this connection example the bus termination is formed with an AC termination. The external participant which forms a bus termination must be equipped with an AC termination. If the SX 230/A is used for bus termination this has to be activated (see [chapter 5.3.4 "Bus termination interface" on page 20](#)).

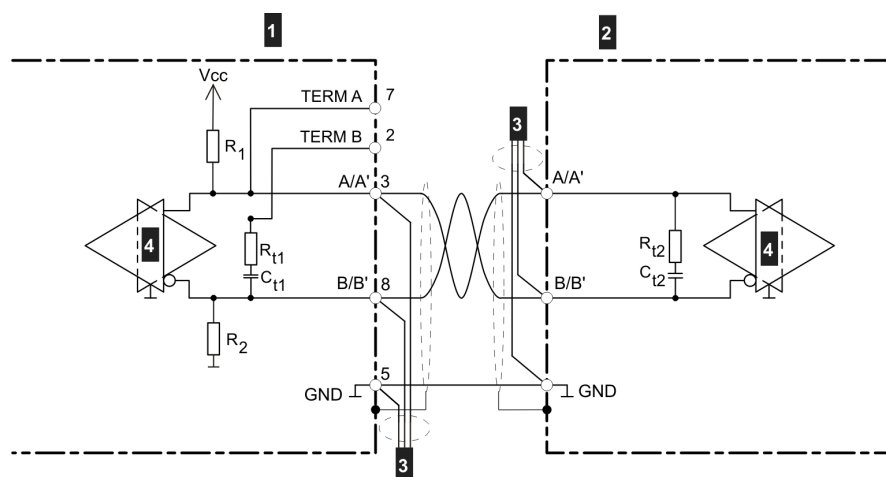


Fig.5-6: RS-485-A interface with AC termination

1 ... SX 230/A	2 ... External participant
3 ... To other participants	4 ... Transmitter / receiver
Vcc ... Supply voltage of the module	

Component values SX 230/A	Component values of external participant
$R_{t1} = 120 \ \Omega$	$R_{t2} = 120 \ \Omega$
$C_{t1} = 10 \ \text{nF}$	$C_{t2} = 10 \ \text{nF}$

5.3.2 Pin assignment

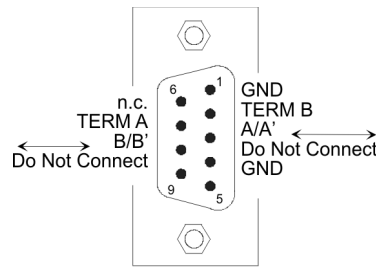


Fig.5-7: RS-485-A pin assignment

Pin no.	Signal designation		Input / Output
1	GND	ground	---
2	TERM B	terminating resistor	---
3	A / A'	Transmit / Receive (+)	Input/Output
4		do not connect	---
5	GND	ground	---
6	n.c.	not connected	---
7	TERM A	terminating resistor	---
8	B / B'	Transmit / Receive (-)	Input/Output
9		do not connect	---

5.3.3 Cable and plug specification

See System manual.

5.3.4 Bus termination interface

If the SX 230/A is used as first or last participant of the RS-485-A bus a bus termination must be activated. Therefore the pins 2 and 7 (TERM A, TERM B) must be connected.

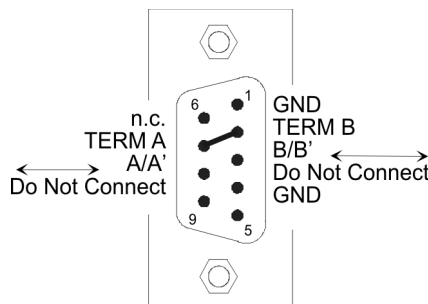


Fig.5-8: Bus termination RS-485-A

5.4 EMC and wiring guidelines

Pay attention from the outset to careful wiring and shielding.

Further information: See system manual.

6 Configuration

General information

A Kemro system needs data for the configuration of system performance, its I/O-devices and interfaces. The system reads this data during the start-up operation and allocates them to its components and devices.

Configuration data is created by included configuration tools or by editing configuration files.

For further information to the configuration see the documentation of the included configuration tool.

7 Operating behavior

7.1 Start-up after Power-On

The module is passive and is configured and activated through the HOST.

7.2 Reset

The module can be reset by the HOST without the HOST itself having to be reset.

8 Disposal

8.1 Disposal of the module

CAUTION

Please observe the regulations regarding disposal of electric appliances and electronic devices!



- The symbol with the crossed-out waste container means that electrical and electronic devices including their accessories must not be disposed of in the household garbage.
- The materials are recyclable in accordance with their labeling. You can make an important contribution to protecting our environment by reusing, renewing and recycling materials and old appliances.

9 Technical data

9.1 Environmental conditions

Operating temperature:	+5 °C to +55 °C
Storage temperature:	-40 °C to +70 °C
Relative humidity of air:	10 % to 95 % (non condensing)
Vibration resistance:	according to EN 61131-2:2007
Shock resistance:	according to EN 61131-2:2007

9.2 Interface to CPU module

Interface type:	3.3 V TTL output of the UART
Power supply over bus:	5V
Power consumption:	0.1 W
Module recognition:	YES, no type recognized

9.3 Serial interface

Type:	RS-485-A/RS-422-A, 9-pole pin plug
Data transmission rate:	To be set via software (1.2 kbit/s to 115 kbit/s)
Galvanic isolation:	No
Switching between RS-485-A and RS-422-A:	To be set via software

9.4 Mechanical Properties

Structure:	No casing; only front plate mounted on print
Protection class:	If module is slotted into control system, control system fulfills IP20
Weight:	31 g

10 EC directives and standards

10.1 EC directives

Guideline 2004/108/EG	EC guideline on electromagnetic compatibility
Guideline 2011/65/EU	RoHS guideline

10.2 Standards

To check the conformity of the system with the directives, the following non-binding legal European standards were applied:

10.2.1 General procedures and safety principles

EN 61131-1:2003	Programmable controllers - Part 1
-----------------	-----------------------------------

Information

This product was developed for the use in industrial areas and can cause radio interference when used in residential areas.

10.2.2 EMC guideline

EN 61131-2:2007	Programmable controllers - Part 2
-----------------	-----------------------------------

10.2.3 Electrical safety and fire protection

EN 61131-2:2007	Programmable controllers - Part 2
-----------------	-----------------------------------

10.2.4 Environmental and surrounding conditions

Operation with compact flash card or SSD

EN 61131-2:2007	Programmable controllers - Part 2
-----------------	-----------------------------------

10.3 Standards for the American market

10.3.1 UL test for industrial control equipment

UL 508, 2005	Industrial Control Equipment
--------------	------------------------------

11 Declaration of conformity

The declaration of conformity of this product is available on request from KEBA.