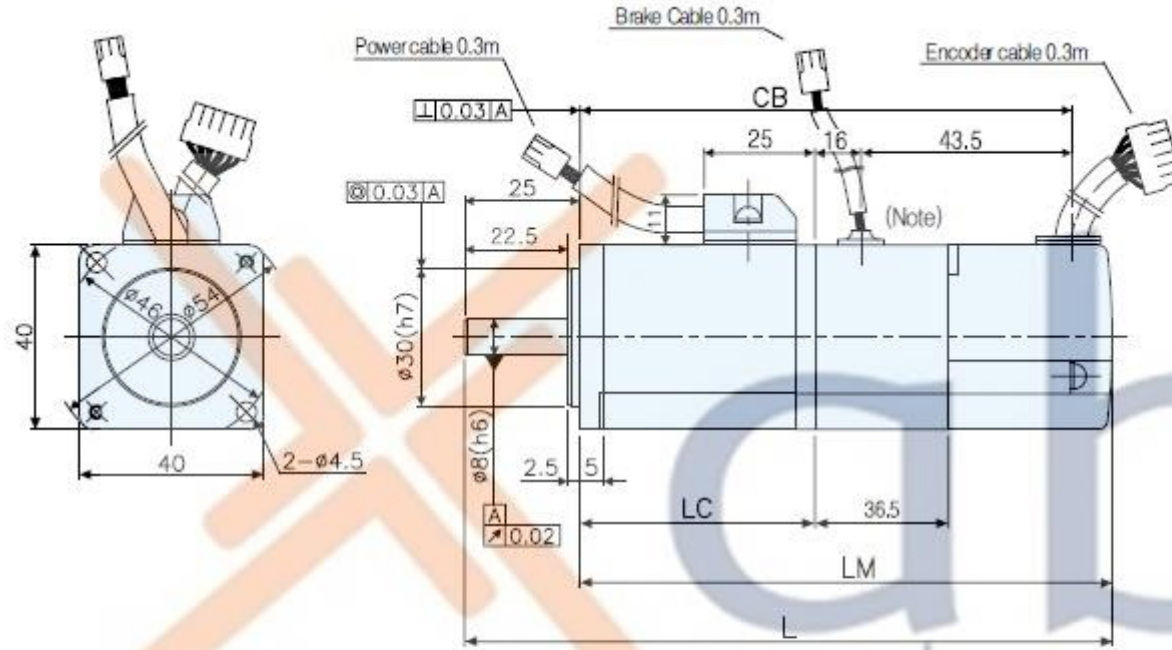


SERVO MOTOR BOYUTLARI

SA Serisi | APM-SA01ACN



Model	External Dimension				Weight (kg)
	L	LM	LC	CB	
SAR3A	100.5(137)	75.5(112)	42.5	65.5(102)	0.32(0.67)
SAR5A	107.5(144)	82.5(119)	49.5	72.5(109)	0.38(0.73)
SA01A	124.5(161)	99.5(136)	66.5	89.5(126)	0.5(0.85)

Plug Specification



Plug Specification : 172167-1
(Made by AMP)

Pin No.	Color	Phase
1	Red	U
2	White	V
3	Black	W
4	Green	Ground

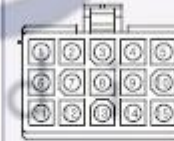
(Power connector Pin)



Plug Specification : 172165-1
(Made by AMP)

Pin No.	Color	Phase
1	Red	BK+
2	White	BK-

(Brake connector Pin)



Plug Specification : 172171-1
(Made by AMP)

Pin No.	Phase	Pin No.	Phase
1	A	9	V
2	\bar{A}	10	\bar{V}
3	B	11	W
4	\bar{B}	12	\bar{W}
5	Z	13	+5V
6	\bar{Z}	14	0V
7	U	15	SHIELD
8	\bar{U}		

(Encoder connector Pin)



Note

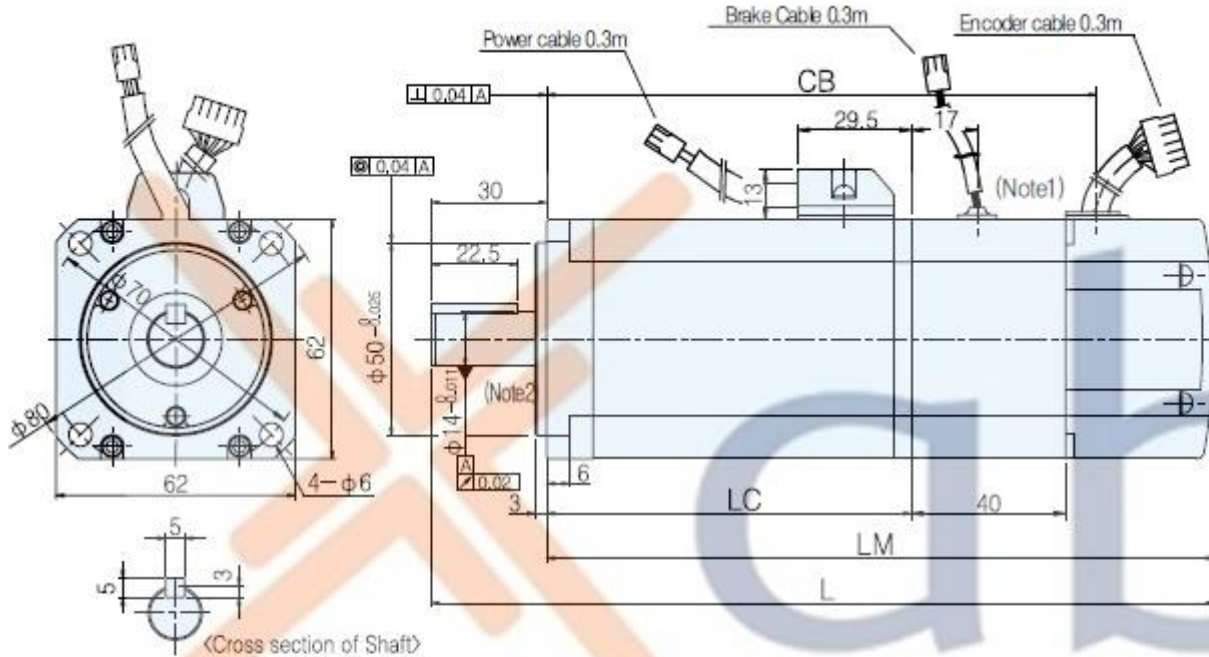
- 1) Use DC24V for brake input supply
- 2) The dimension in () is for Brake attached motor

ABK Mühendislik Sanayi ve Ticaret Limited Şirketi

Perpa Ticaret Merkezi B Blok Kat:11 No:1682 Okmeydanı 34384 Şişli-İstanbul

Tel: +90 (212) 320 36 30 Pbx Faks: +90 (212) 320 36 31 E-Mail: info@abkm.com.tr Web: www.abkm.com.tr

SB Serisi | APM-SB02AEK



Model	External Dimension				Weight (kg)
	L	LM	LC	CB	
SB01A	122(162)	92(132)	52	59.5(99.5)	0.82(1.4)
SB02A	136(176)	106(146)	66	73.5(113.5)	1.08(1.66)
SB04A	164(204)	134(174)	94	101.5(141.5)	1.58(2.16)

Plug Specification

Pin No.	Color	Phase
1	Red	U
2	White	V
3	Black	W
4	Green	Ground

(Power connector Pin)

Pin No.	Color	Phase
1	Red	BK+
2	White	BK-

(Brake connector Pin)

Pin No.	Phase	Pin No.	Phase
1	A	9	V
2	\bar{A}	10	\bar{V}
3	B	11	W
4	\bar{B}	12	\bar{W}
5	Z	13	+5V
6	\bar{Z}	14	0V
7	U	15	SHIELD
8	\bar{U}		

(Encoder connector Pin)

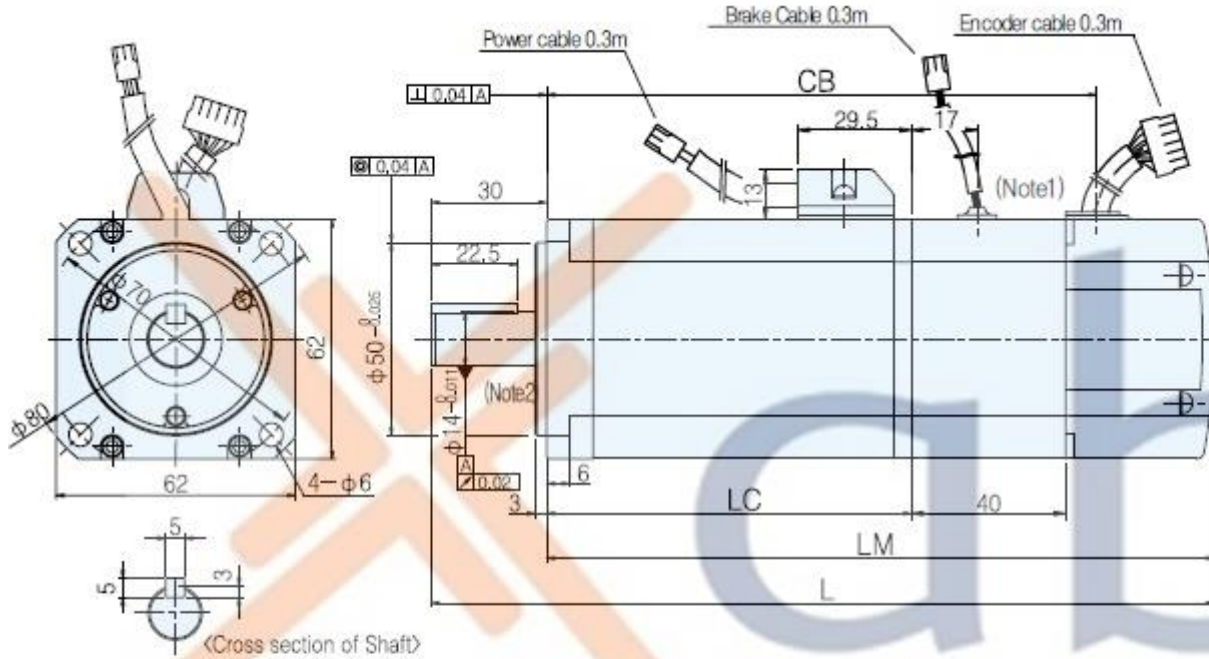
- Note 1) Use DC24V for brake input supply
 Note 2) The dimension in () is for Brake attached motor
 Note 3) When Drawing for oil seal attached type motor is needed, Please contact to us The dimension for Oil seal attached motor is different with standard motor.

ABK Mühendislik Sanayi ve Ticaret Limited Şirketi

Perpa Ticaret Merkezi B Blok Kat:11 No:1682 Okmeydanı 34384 Şişli-İstanbul

Tel: +90 (212) 320 36 30 Pbx Faks: +90 (212) 320 36 31 E-Mail: info@abkm.com.tr Web: www.abkm.com.tr

SB Serisi | APM-SB04AEK



Model	External Dimension				Weight (kg)
	L	LM	LC	CB	
SB01A	122(162)	92(132)	52	59.5(99.5)	0.82(1.4)
SB02A	136(176)	106(146)	66	73.5(113.5)	1.08(1.66)
SB04A	164(204)	134(174)	94	101.5(141.5)	1.58(2.16)


Plug Specification



Plug Specification : 172167-1
(Made by AMP)

Pin No.	Color	Phase
1	Red	U
2	White	V
3	Black	W
4	Green	Ground

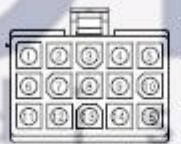
(Power connector Pin)



Plug Specification : 172165-1
(Made by AMP)

Pin No.	Color	Phase
1	Red	BK+
2	White	BK-

(Brake connector Pin)



Plug Specification : 172171-1
(Made by AMP)

Pin No.	Phase	Pin No.	Phase
1	A	9	V
2	\bar{A}	10	\bar{V}
3	B	11	W
4	\bar{B}	12	\bar{W}
5	Z	13	+5V
6	\bar{Z}	14	0V
7	U	15	SHIELD
8	\bar{U}		

(Encoder connector Pin)

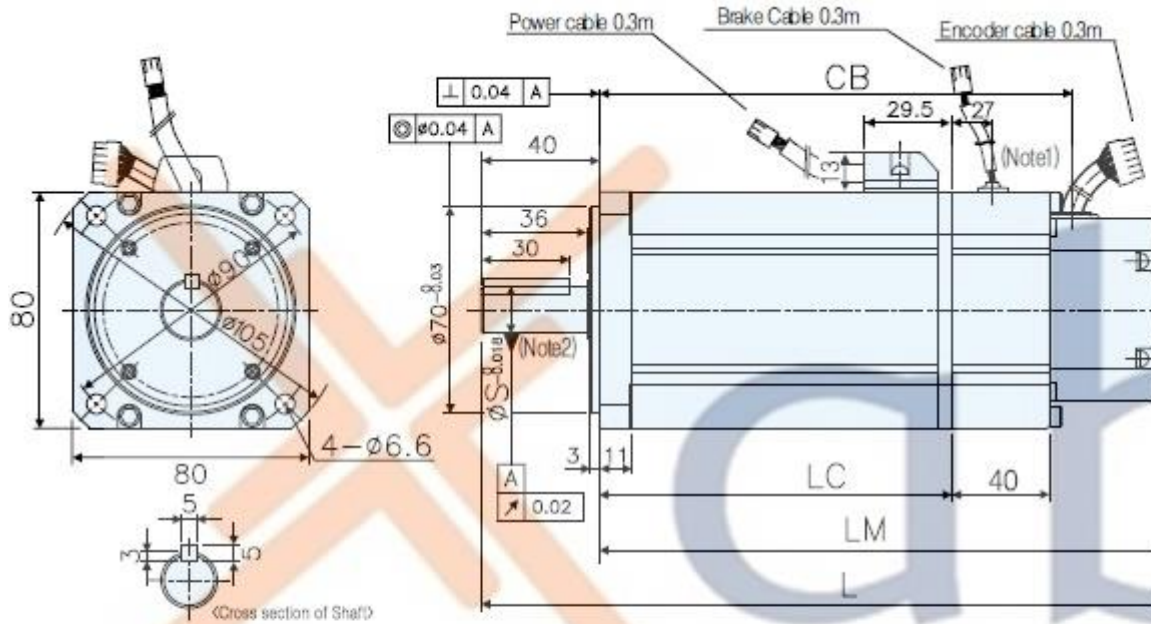
- Note 1) Use DC24V for brake input supply
 2) The dimension in () is for Brake attached motor
 3) When Drawing for oil seal attached type motor is needed, Please contact to us The dimension for Oil seal attached motor is different with standard motor.

ABK Mühendislik Sanayi ve Ticaret Limited Şirketi

Perpa Ticaret Merkezi B Blok Kat:11 No:1682 Okmeydanı 34384 Şişli-İstanbul

Tel: +90 (212) 320 36 30 Pbx Faks: +90 (212) 320 36 31 E-Mail: info@abkm.com.tr Web: www.abkm.com.tr

SC Serisi | APM-SC06AEK



Model	External Dimension					Weight (kg)
	L	LM	LC	CB	S	
SC04A, SC03D	158(198)	118(158)	79	86.5(127)	14	1.88(2.92)
SC06A, SC05D	178(218)	138(178)	99	106.5(147)	16	2.52(3.56)
SC08A, SC06D	198(238)	158(198)	119	126.5(167)	16	3.18(4.22)
SC10A, SC07D	218(258)	178(218)	139	146.5(187)	16	3.90(4.94)

Plug Specification



Plug Specification : 172167-1
(Made by AMP)

Pin No.	Color	Phase
1	Red	U
2	White	V
3	Black	W
4	Green	Ground

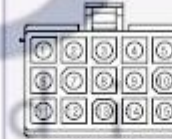
(Power connector Pin)



Plug Specification : 172165-1
(Made by AMP)

Pin No.	Color	Phase
1	Red	BK+
2	White	BK-

(Brake connector Pin)



Plug Specification : 172171-1
(Made by AMP)

Pin No.	Phase	Pin No.	Phase
1	A	9	V
2	\bar{A}	10	\bar{V}
3	B	11	W
4	\bar{B}	12	\bar{W}
5	Z	13	+5V
6	\bar{Z}	14	0V
7	U	15	SHIELD
8	\bar{U}		

(Encoder connector Pin)



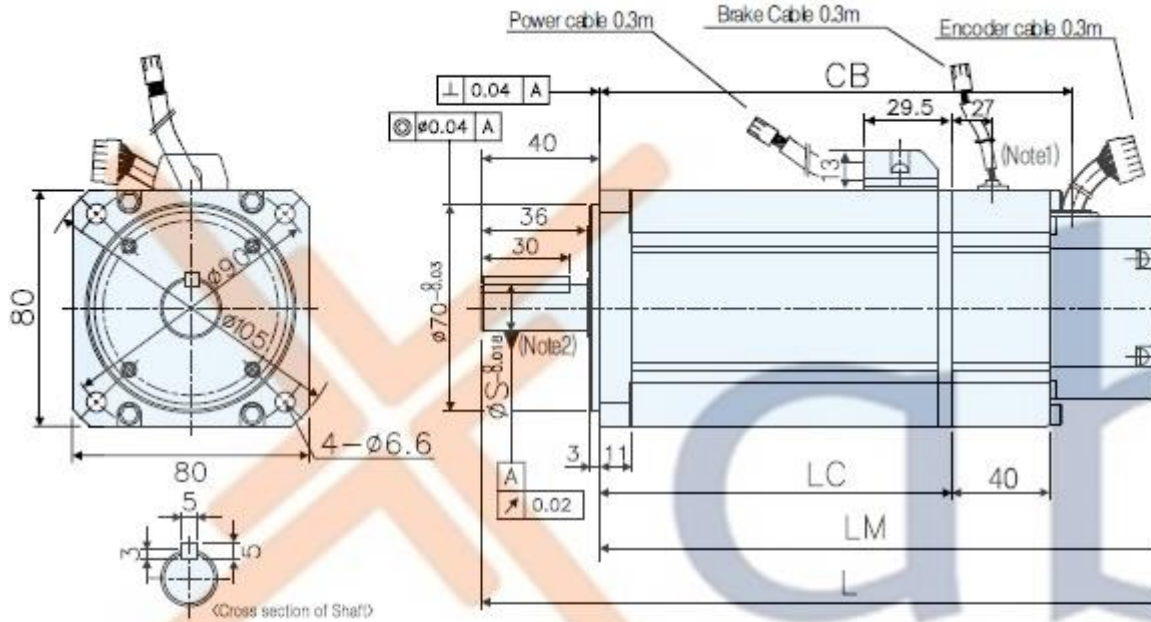
Note 1) Use DC24V for brake input supply
 2) The dimension in () is for Brake attached motor
 3) When Drawing for oil seal attached type motor is needed, Please contact to us The dimension for Oil seal attached motor is different with standard motor.

ABK Mühendislik Sanayi ve Ticaret Limited Şirketi

Perpa Ticaret Merkezi B Blok Kat:11 No:1682 Okmeydanı 34384 Şişli-İstanbul

Tel: +90 (212) 320 36 30 Pbx Faks: +90 (212) 320 36 31 E-Mail: info@abkm.com.tr Web: www.abkm.com.tr

SC Serisi | APM-SC08AEK



Model	External Dimension					Weight (kg)
	L	LM	LC	CB	S	
SC04A, SC03D	158(198)	118(158)	79	86.5(127)	14	1.88(2.92)
SC06A, SC05D	178(218)	138(178)	99	106.5(147)	16	2.52(3.56)
SC08A, SC06D	198(238)	158(198)	119	126.5(167)	16	3.18(4.22)
SC10A, SC07D	218(258)	178(218)	139	146.5(187)	16	3.90(4.94)

Plug Specification



Plug Specification : 172167-1
(Made by AMP)

Pin No.	Color	Phase
1	Red	U
2	White	V
3	Black	W
4	Green	Ground

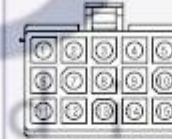
(Power connector Pin)



Plug Specification : 172165-1
(Made by AMP)

Pin No.	Color	Phase
1	Red	BK+
2	White	BK-

(Brake connector Pin)



Plug Specification : 172171-1
(Made by AMP)

Pin No.	Phase	Pin No.	Phase
1	A	9	V
2	\bar{A}	10	\bar{V}
3	B	11	W
4	\bar{B}	12	\bar{W}
5	Z	13	+5V
6	\bar{Z}	14	0V
7	U	15	SHIELD
8	\bar{U}		

(Encoder connector Pin)



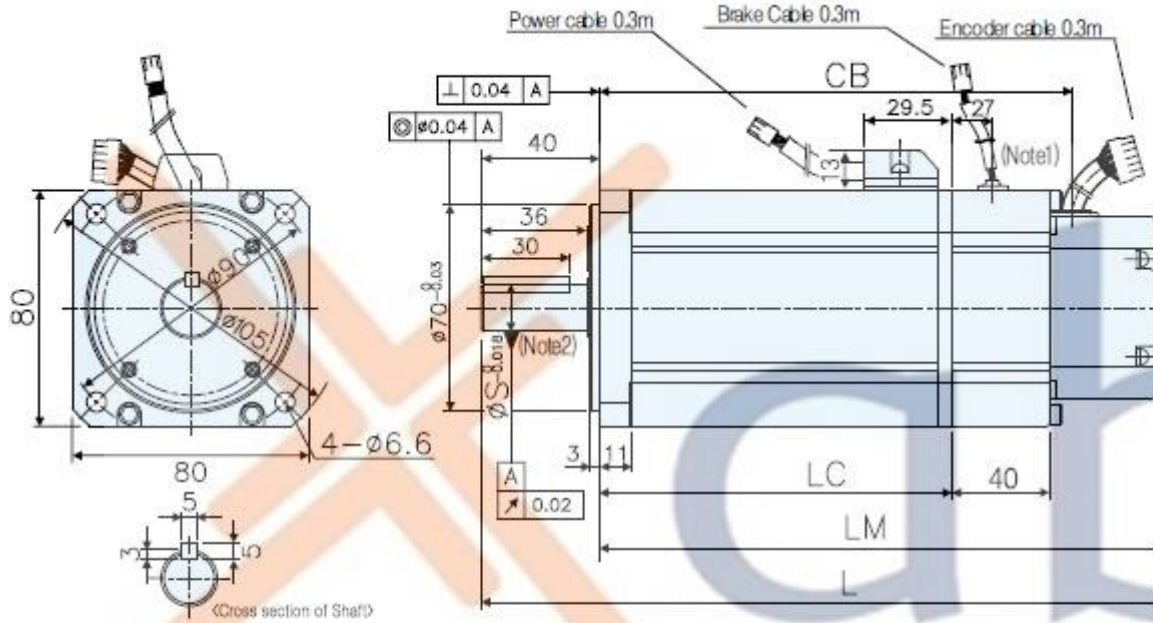
Note 1) Use DC24V for brake input supply
 2) The dimension in () is for Brake attached motor
 3) When Drawing for oil seal attached type motor is needed, Please contact to us The dimension for Oil seal attached motor is different with standard motor.

ABK Mühendislik Sanayi ve Ticaret Limited Şirketi

Perpa Ticaret Merkezi B Blok Kat:11 No:1682 Okmeydanı 34384 Şişli-İstanbul

Tel: +90 (212) 320 36 30 Pbx Faks: +90 (212) 320 36 31 E-Mail: info@abkm.com.tr Web: www.abkm.com.tr

SC Serisi | APM-SC10AEK



Model	External Dimension					Weight (kg)
	L	LM	LC	CB	S	
SC04A, SC03D	158(198)	118(158)	79	86.5(127)	14	1.88(2.92)
SC06A, SC05D	178(218)	138(178)	99	106.5(147)	16	2.52(3.56)
SC08A, SC06D	198(238)	158(198)	119	126.5(167)	16	3.18(4.22)
SC10A, SC07D	218(258)	178(218)	139	146.5(187)	16	3.90(4.94)

Plug Specification



Plug Specification : 172167-1
(Made by AMP)

Pin No.	Color	Phase
1	Red	U
2	White	V
3	Black	W
4	Green	Ground

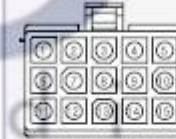
(Power connector Pin)



Plug Specification : 172165-1
(Made by AMP)

Pin No.	Color	Phase
1	Red	BK+
2	White	BK-

(Brake connector Pin)



Plug Specification : 172171-1
(Made by AMP)

Pin No.	Phase	Pin No.	Phase
1	A	9	V
2	\bar{A}	10	\bar{V}
3	B	11	W
4	\bar{B}	12	\bar{W}
5	Z	13	+5V
6	\bar{Z}	14	0V
7	U	15	SHIELD
8	\bar{U}		

(Encoder connector Pin)



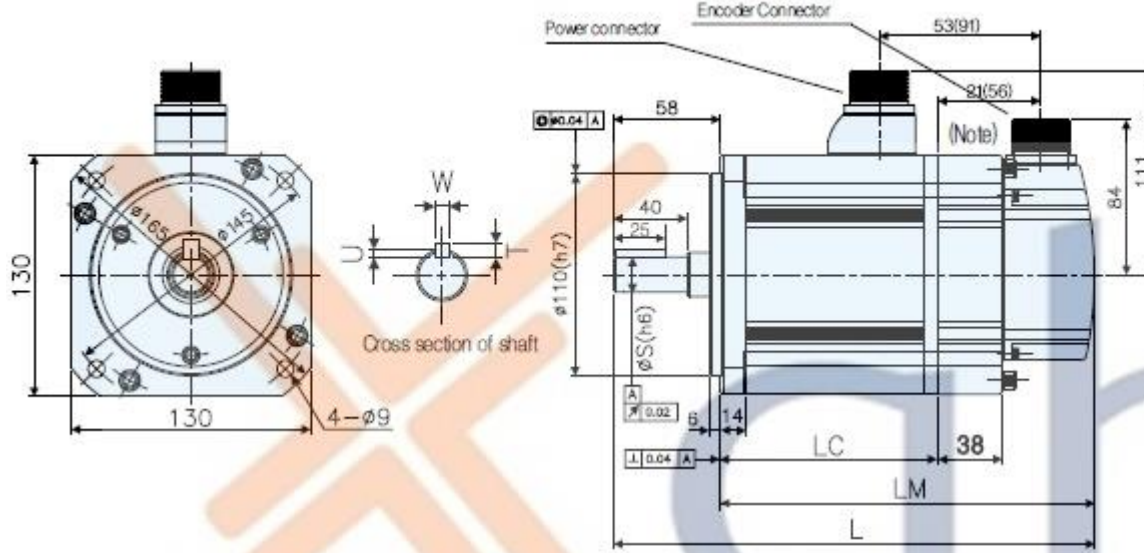
Note 1) Use DC24V for brake input supply
2) The dimension in () is for Brake attached motor
3) When Drawing for oil seal attached type motor is needed, Please contact to us The dimension for Oil seal attached motor is different with standard motor.

ABK Mühendislik Sanayi ve Ticaret Limited Şirketi

Perpa Ticaret Merkezi B Blok Kat:11 No:1682 Okmeydanı 34384 Şişli-İstanbul

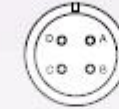
Tel: +90 (212) 320 36 30 Pbx Faks: +90 (212) 320 36 31 E-Mail: info@abkm.com.tr Web: www.abkm.com.tr

SE Serisi | APM-SE22AEK



Model	External Dimension				Key			Weight (kg)
	L	LM	LC	S	T	W	U	
SE09A, SE06D, SE05G, SE03M	202(240)	144(182)	94	19	5	5	3	5.5(7.04)
SE15A, SE11D, SE09G, SE06M	226(264)	168(206)	118	19	5	5	3	7.54(9.08)
SE22A, SE16D, SE13G, SE09M	250(288)	192(230)	142	22	6	6	3.5	9.68(11.22)
SE30A, SE22D, SE17G, SE12M	274(312)	216(254)	166	22	6	6	3.5	11.78(13.32)

Plug Specification



Specification
: MS3102A20-4P
(Standard)

Pin No.	Phase
A	U
B	V
C	W
D	Ground



Specification
: MS3102A20-6P
(Brake attached type)

Pin No.	Phase	Pin No.	Phase
A	U	D	Ground
B	V	E	BK+
C	W	F	BK-



Specification
: MS3102A20-29P

Pin No.	Phase	Pin No.	Phase
A	A	M	V
B	\bar{A}	N	\bar{V}
C	B	P	W
D	\bar{B}	R	\bar{W}
E	Z	H	+5V
F	\bar{Z}	G	0V
K	U	J	SHIELD
L	\bar{U}		



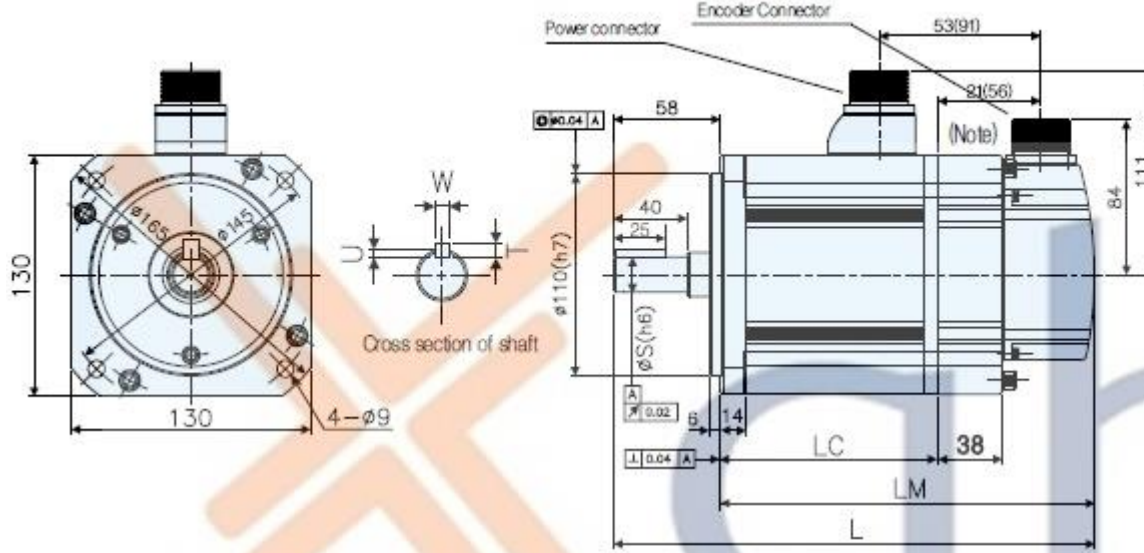
Note 1) Use DC24V for brake input supply depending on Brake specification
2) The dimension in () is for Brake attached motor

ABK Mühendislik Sanayi ve Ticaret Limited Şirketi

Perpa Ticaret Merkezi B Blok Kat:11 No:1682 Okmeydanı 34384 Şişli-İstanbul

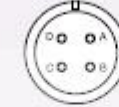
Tel: +90 (212) 320 36 30 Pbx Faks: +90 (212) 320 36 31 E-Mail: info@abkm.com.tr Web: www.abkm.com.tr

SE Serisi | APM-SE30AEK



Model	External Dimension				Key			Weight (kg)
	L	LM	LC	S	T	W	U	
SE09A, SE06D, SE05G, SE03M	202(240)	144(182)	94	19	5	5	3	5.5(7.04)
SE15A, SE11D, SE09G, SE06M	226(264)	168(206)	118	19	5	5	3	7.54(9.08)
SE22A, SE16D, SE13G, SE09M	250(288)	192(230)	142	22	6	6	3.5	9.68(11.22)
SE30A, SE22D, SE17G, SE12M	274(312)	216(254)	166	22	6	6	3.5	11.78(13.32)

Plug Specification



Specification : MS3102A20-4P (Standard)

Pin No.	Phase
A	U
B	V
C	W
D	Ground



Specification : MS3102A20-6P (Brake attached type)

Pin No.	Phase	Pin No.	Phase
A	U	D	Ground
B	V	E	BK+
C	W	F	BK-



Specification : MS3102A20-29P

Pin No.	Phase	Pin No.	Phase
A	A	M	V
B	\bar{A}	N	\bar{V}
C	B	P	W
D	\bar{B}	R	\bar{W}
E	Z	H	+5V
F	\bar{Z}	G	0V
K	U	J	SHIELD
L	\bar{U}		



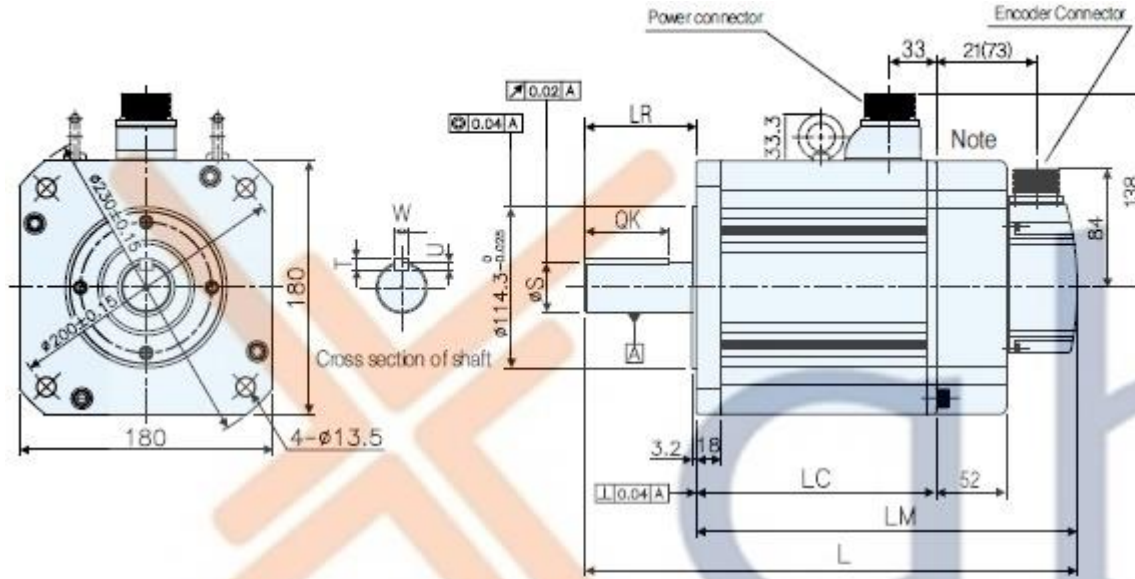
Note 1) Use DC24V for brake input supply depending on Brake specification
2) The dimension in () is for Brake attached motor

ABK Mühendislik Sanayi ve Ticaret Limited Şirketi

Perpa Ticaret Merkezi B Blok Kat:11 No:1682 Okmeydanı 34384 Şişli-İstanbul

Tel: +90 (212) 320 36 30 Pbx Faks: +90 (212) 320 36 31 E-Mail: info@abkm.com.tr Web: www.abkm.com.tr

SF Serisi | APM-SF50AEK



Plug Specification



Specification
: MS3102A22-22P
(Standard)

Pin No.	Phase
A	U
B	V
C	W
D	Ground



Specification
: MS3102A24-10P
(Brake attached type)

Pin No.	Phase	Pin No.	Phase
A	U	D	Ground
B	V	E	BK+
C	W	F	BK-



Specification
: MS3102A20-29P

Pin No.	Phase	Pin No.	Phase
A	A	M	V
B	\bar{A}	N	\bar{V}
C	B	P	W
D	\bar{B}	R	\bar{W}
E	Z	H	+5V
F	\bar{Z}	G	0V
K	U	J	SHIELD
L	\bar{U}		

Model	External Dimension				Shaft, Key					Weight (kg)
	L	LM	LC	LR	S	QK	T	W	U	
SF30A, SF22D, SF20G, SF12M	261.8(313.8)	182.8(234.8)	132.8	79	35 ^{+0.01} ₋₀	60	8	10	5	12.4(19.2)
SF50A, SF35D, SF30G, SF20M	294.8(346.8)	215.8(267.8)	165.8	79	35 ^{+0.01} ₋₀	60	8	10	5	17.7(24.9)
SF55D, SF44G, SF30M	344.8(396.8)	265.8(317.8)	215.8	79	35 ^{+0.01} ₋₀	60	8	10	5	26.3(33.4)
SF75D, SF60G, SF44M	404.8(456.8)	325.8(377.8)	275.8	79	35 ^{+0.01} ₋₀	60	8	10	5	35.6(42.8)
SF75G	458.9(510.8)	345.8(397.8)	295.8	113	42 ⁻⁰ _{-0.016}	96	8	12	5	39.4(45.1)



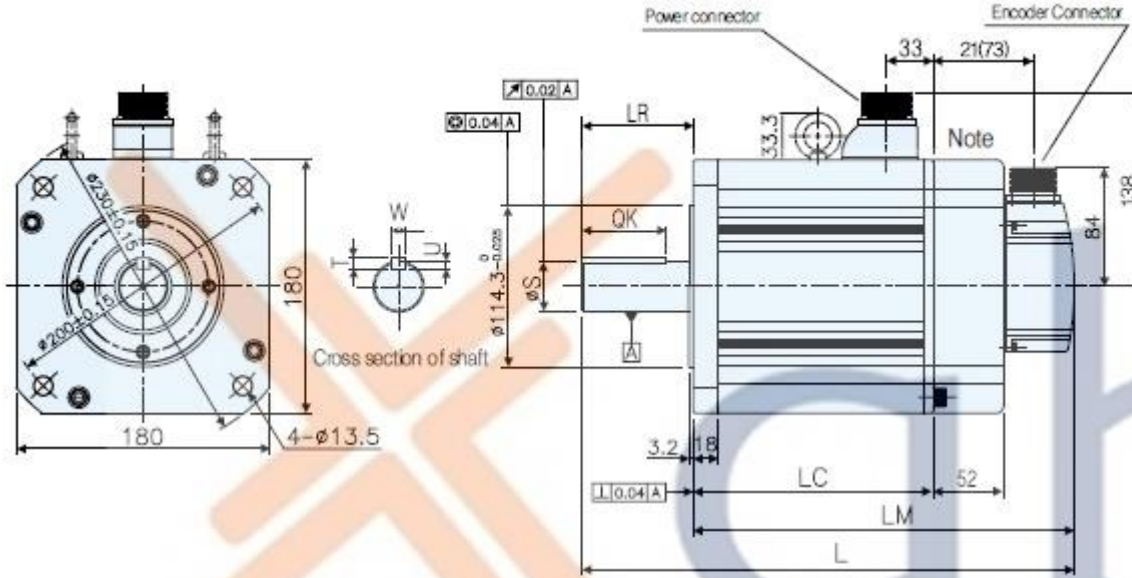
Note 1) Use DC24V for brake input supply depending on Brake specification
2) The dimension in () is for Brake attached motor

ABK Mühendislik Sanayi ve Ticaret Limited Şirketi

Perpa Ticaret Merkezi B Blok Kat:11 No:1682 Okmeydanı 34384 Şişli-İstanbul

Tel: +90 (212) 320 36 30 Pbx Faks: +90 (212) 320 36 31 E-Mail: info@abkm.com.tr Web: www.abkm.com.tr

SF Serisi | APM-SF35DEK



Model	External Dimension				Shaft, Key					Weight (kg)
	L	LM	LC	LR	S	QK	T	W	U	
SF30A, SF22D, SF20G, SF12M	261.8(313.8)	182.8(234.8)	132.8	79	35 ^{+0.01} ₋₀	60	8	10	5	12.4(19.2)
SF50A, SF35D, SF30G, SF20M	294.8(346.8)	215.8(267.8)	165.8	79	35 ^{+0.01} ₋₀	60	8	10	5	17.7(24.9)
SF55D, SF44G, SF30M	344.8(396.8)	265.8(317.8)	215.8	79	35 ^{+0.01} ₋₀	60	8	10	5	26.3(33.4)
SF75D, SF60G, SF44M	404.8(456.8)	325.8(377.8)	275.8	79	35 ^{+0.01} ₋₀	60	8	10	5	35.6(42.8)
SF75G	458.9(510.8)	345.8(397.8)	295.8	113	42 ⁻⁰ _{-0.016}	96	8	12	5	39.4(45.1)

Plug Specification



Specification
: MS3102A22-22P
(Standard)

Pin No.	Phase
A	U
B	V
C	W
D	Ground



Specification
: MS3102A24-10P
(Brake attached type)

Pin No.	Phase	Pin No.	Phase
A	U	D	Ground
B	V	E	BK+
C	W	F	BK-



Specification
: MS3102A20-29P

Pin No.	Phase	Pin No.	Phase
A	A	M	V
B	A̅	N	V̅
C	B	P	W
D	B̅	R	W̅
E	Z	H	+5V
F	Z̅	G	0V
K	U	J	SHIELD
L	U̅		



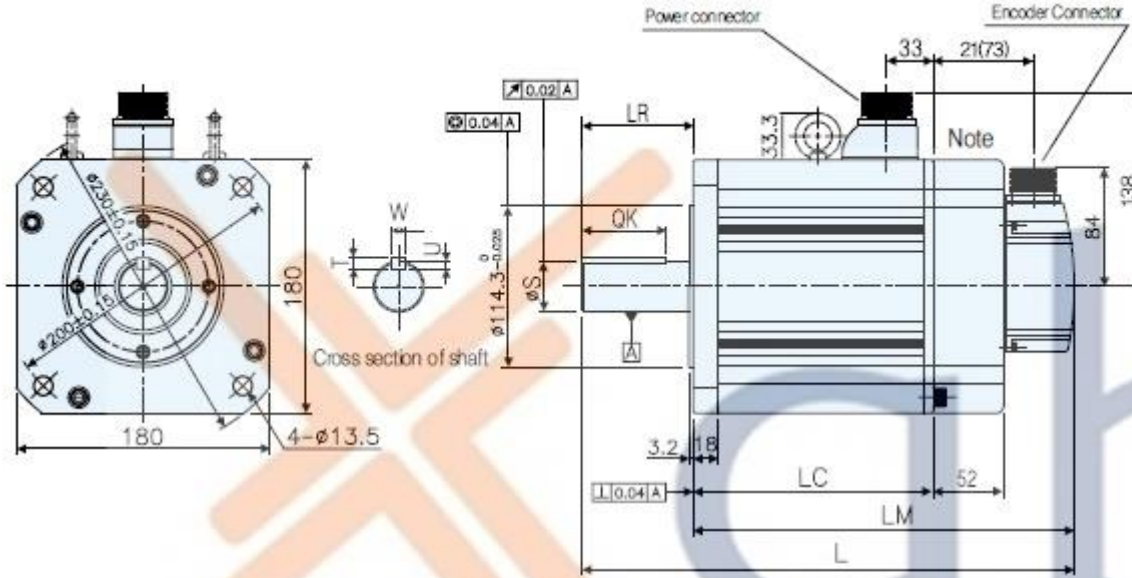
Note 1) Use DC24V for brake input supply depending on Brake specification
2) The dimension in () is for Brake attached motor

ABK Mühendislik Sanayi ve Ticaret Limited Şirketi

Perpa Ticaret Merkezi B Blok Kat:11 No:1682 Okmeydanı 34384 Şişli-İstanbul

Tel: +90 (212) 320 36 30 Pbx Faks: +90 (212) 320 36 31 E-Mail: info@abkm.com.tr Web: www.abkm.com.tr

SF Serisi | APM-SF55DEK



Model	External Dimension				Shaft, Key					Weight (kg)
	L	LM	LC	LR	S	QK	T	W	U	
SF30A, SF22D, SF20G, SF12M	261.8(313.8)	182.8(234.8)	132.8	79	35 $^{+0.01}_{-0}$	60	8	10	5	12.4(19.2)
SF50A, SF35D, SF30G, SF20M	294.8(346.8)	215.8(267.8)	165.8	79	35 $^{+0.01}_{-0}$	60	8	10	5	17.7(24.9)
SF55D, SF44G, SF30M	344.8(396.8)	265.8(317.8)	215.8	79	35 $^{+0.01}_{-0}$	60	8	10	5	26.3(33.4)
SF75D, SF60G, SF44M	404.8(456.8)	325.8(377.8)	275.8	79	35 $^{+0.01}_{-0}$	60	8	10	5	35.6(42.8)
SF75G	458.9(510.8)	345.8(397.8)	295.8	113	42 $^{+0}_{-0.016}$	96	8	12	5	39.4(45.1)

Plug Specification



Specification : MS3102A22-22P (Standard)

Pin No.	Phase
A	U
B	V
C	W
D	Ground



Specification : MS3102A24-10P (Brake attached type)

Pin No.	Phase	Pin No.	Phase
A	U	D	Ground
B	V	E	BK+
C	W	F	BK-



Specification : MS3102A20-29P

Pin No.	Phase	Pin No.	Phase
A	A	M	V
B	\bar{A}	N	\bar{V}
C	B	P	W
D	\bar{B}	R	\bar{W}
E	Z	H	+5V
F	\bar{Z}	G	0V
K	U	J	SHIELD
L	\bar{U}		



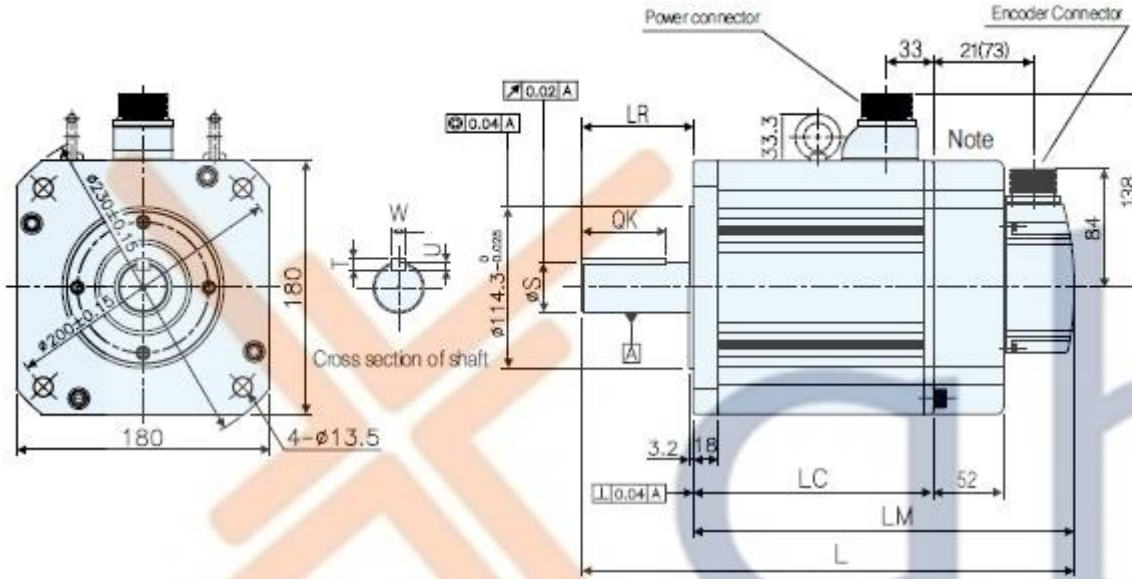
Note 1) Use DC24V for brake input supply depending on Brake specification
2) The dimension in () is for Brake attached motor

ABK Mühendislik Sanayi ve Ticaret Limited Şirketi

Perpa Ticaret Merkezi B Blok Kat:11 No:1682 Okmeydanı 34384 Şişli-İstanbul

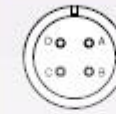
Tel: +90 (212) 320 36 30 Pbx Faks: +90 (212) 320 36 31 E-Mail: info@abkm.com.tr Web: www.abkm.com.tr

SF Serisi | APM-SF75DEK



Model	External Dimension				Shaft, Key					Weight (kg)
	L	LM	LC	LR	S	QK	T	W	U	
SF30A, SF22D, SF20G, SF12M	261.8(313.8)	182.8(234.8)	132.8	79	35 ^{+0.01} ₋₀	60	8	10	5	12.4(19.2)
SF50A, SF35D, SF30G, SF20M	294.8(346.8)	215.8(267.8)	165.8	79	35 ^{+0.01} ₋₀	60	8	10	5	17.7(24.9)
SF55D, SF44G, SF30M	344.8(396.8)	265.8(317.8)	215.8	79	35 ^{+0.01} ₋₀	60	8	10	5	26.3(33.4)
SF75D, SF60G, SF44M	404.8(456.8)	325.8(377.8)	275.8	79	35 ^{+0.01} ₋₀	60	8	10	5	35.6(42.8)
SF75G	458.9(510.8)	345.8(397.8)	295.8	113	42 ⁻⁰ _{-0.016}	96	8	12	5	39.4(45.1)

Plug Specification



Specification
: MS3102A22-22P
(Standard)

Pin No.	Phase
A	U
B	V
C	W
D	Ground



Specification
: MS3102A24-10P
(Brake attached type)

Pin No.	Phase	Pin No.	Phase
A	U	D	Ground
B	V	E	BK+
C	W	F	BK-



Specification
: MS3102A20-29P

Pin No.	Phase	Pin No.	Phase
A	A	M	V
B	A̅	N	V̅
C	B	P	W
D	B̅	R	W̅
E	Z	H	+5V
F	Z̅	G	0V
K	U	J	SHIELD
L	U̅		



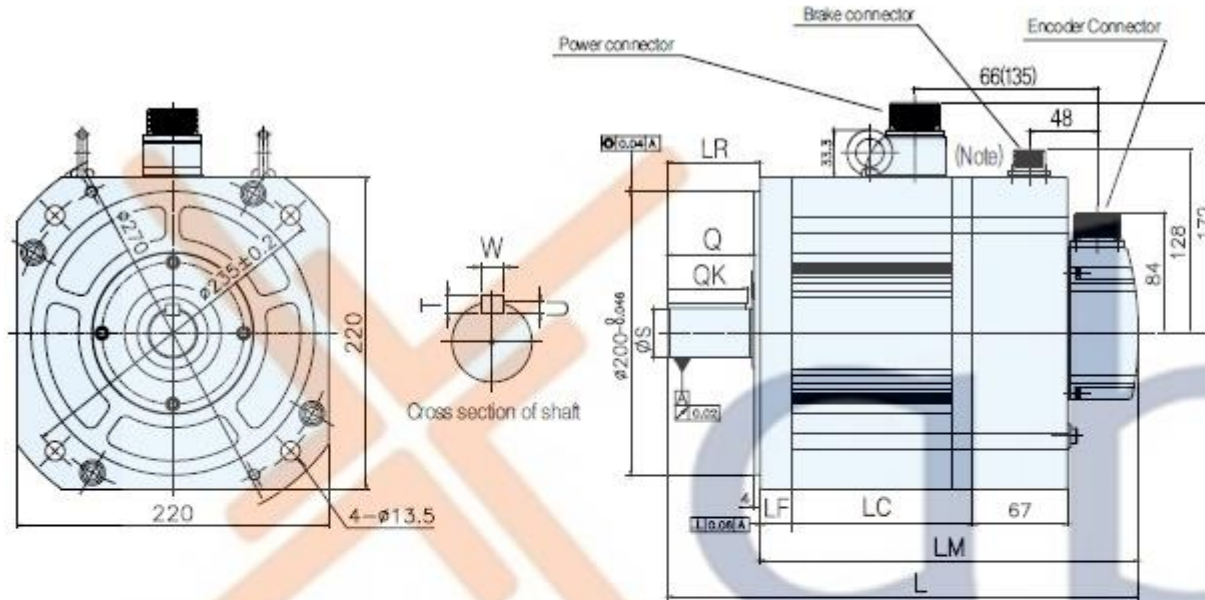
Note 1) Use DC24V for brake input supply depending on Brake specification
2) The dimension in () is for Brake attached motor

ABK Mühendislik Sanayi ve Ticaret Limited Şirketi

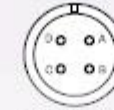
Perpa Ticaret Merkezi B Blok Kat:11 No:1682 Okmeydanı 34384 Şişli-İstanbul

Tel: +90 (212) 320 36 30 Pbx Faks: +90 (212) 320 36 31 E-Mail: info@abkm.com.tr Web: www.abkm.com.tr

SG Serisi | APM-SG110DEK



Plug Specification



Specification
: MS3102A32-17P
(Standard)

Pin No.	Phase
A	U
B	V
C	W
D	Ground



Specification
: MS3102AMS-7P
(Brake attached type)

Pin No.	Phase
A	BK+
B	BK-
C	NC



Specification
: MS3102A20-29P

Pin No.	Phase	Pin No.	Phase
A	A	M	V
B	Ā	N	V̄
C	B	P	W
D	B̄	R	W̄
E	Z	H	+5V
F	Z̄	G	0V
K	U	J	SHIELD
L	Ū		

Model	External Dimension					Shaft, Key						Weight (kg)
	L	LM	LC	LR	LF	S	Q	QK	T	W	U	
SG110D, SG85G, SG60M	421 (486)	356 (421)	306 (304)	65	22	45 ⁰ _{-0.016}	60	55	8	10	5	66.2 (82.6)
SG110G	469	354	304	115	22	42 ⁰ _{-0.016}	110	96	10	12	5	66.3 (82.7)
SG150G	575	459	409	116	35	55 ^{+0.030} _{+0.011}	110	96	10	16	6	92.2 (108.6)



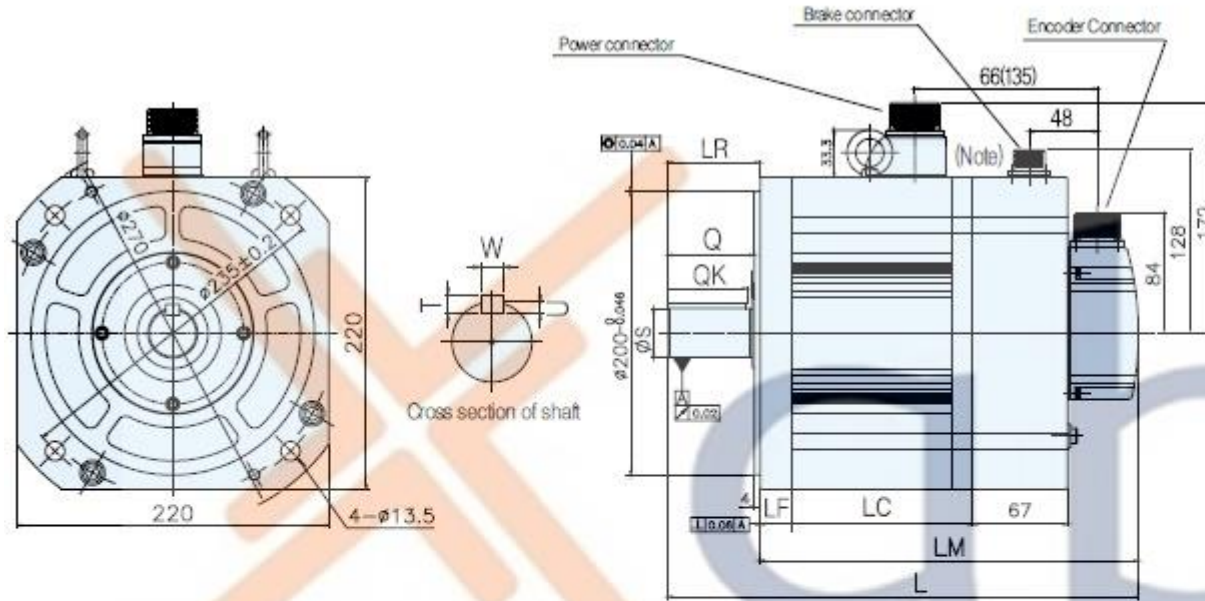
Note 1) Use DC90V for brake input supply depending on Brake specification
2) The dimension in () is for Brake attached motor

ABK Mühendislik Sanayi ve Ticaret Limited Şirketi

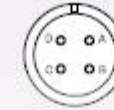
Perpa Ticaret Merkezi B Blok Kat:11 No:1682 Okmeydanı 34384 Şişli-İstanbul

Tel: +90 (212) 320 36 30 Pbx Faks: +90 (212) 320 36 31 E-Mail: info@abkm.com.tr Web: www.abkm.com.tr

SG Serisi | APM-SG110GEK



Plug Specification



Specification : MS3102A32-17P (Standard)

Pin No.	Phase
A	U
B	V
C	W
D	Ground



Specification : MS3102AMS-7P (Brake attached type)

Pin No.	Phase
A	BK+
B	BK-
C	NC



Specification : MS3102A20-29P

Pin No.	Phase	Pin No.	Phase
A	A	M	V
B	Ā	N	V̄
C	B	P	W
D	B̄	R	W̄
E	Z	H	+5V
F	Z̄	G	0V
K	U	J	SHIELD
L	Ū		

Model	External Dimension					Shaft, Key						Weight (kg)
	L	LM	LC	LR	LF	S	Q	QK	T	W	U	
SG110D, SG85G, SG60M	421 (486)	356 (421)	306 (304)	65	22	45 ⁻⁰ _{-0.016}	60	55	8	10	5	66.2 (82.6)
SG110G	469	354	304	115	22	42 ⁻⁰ _{-0.016}	110	96	10	12	5	66.3 (82.7)
SG150G	575	459	409	116	35	55 ^{+0.030} _{+0.011}	110	96	10	16	6	92.2 (108.6)



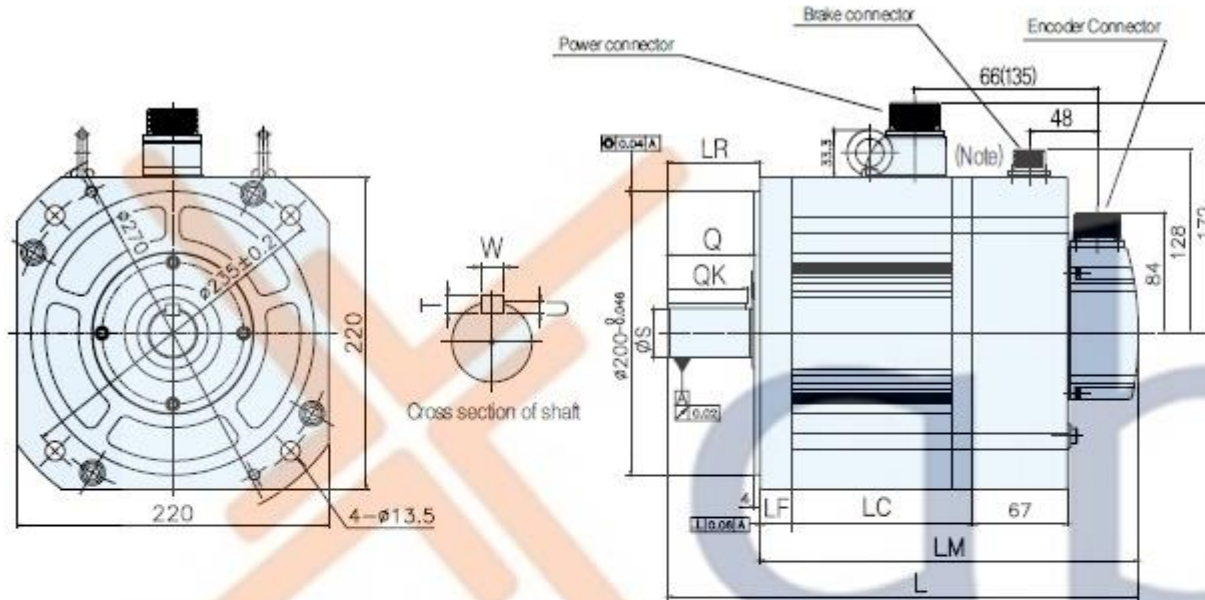
Note 1) Use DC90V for brake input supply depending on Brake specification
2) The dimension in () is for Brake attached motor

ABK Mühendislik Sanayi ve Ticaret Limited Şirketi

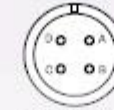
Perpa Ticaret Merkezi B Blok Kat:11 No:1682 Okmeydanı 34384 Şişli-İstanbul

Tel: +90 (212) 320 36 30 Pbx Faks: +90 (212) 320 36 31 E-Mail: info@abkm.com.tr Web: www.abkm.com.tr

SG Serisi | APM-SG150GEK



Plug Specification



Specification
: MS3102A32-17P
(Standard)

Pin No.	Phase
A	U
B	V
C	W
D	Ground



Specification
: MS3102A14S-7P
(Brake attached type)

Pin No.	Phase
A	BK+
B	BK-
C	NC



Specification
: MS3102A20-29P

Pin No.	Phase	Pin No.	Phase
A	A	M	V
B	\bar{A}	N	\bar{V}
C	B	P	W
D	\bar{B}	R	\bar{W}
E	Z	H	+5V
F	\bar{Z}	G	0V
K	U	J	SHIELD
L	\bar{U}		

Model	External Dimension					Shaft, Key						Weight (kg)
	L	LM	LC	LR	LF	S	Q	QK	T	W	U	
SG110D, SG85G, SG60M	421 (486)	356 (421)	306 (304)	65	22	45 ⁻⁰ _{-0.016}	60	55	8	10	5	66.2 (82.6)
SG110G	469	354	304	115	22	42 ⁻⁰ _{-0.016}	110	96	10	12	5	66.3 (82.7)
SG150G	575	459	409	116	35	55 ^{+0.030} _{+0.011}	110	96	10	16	6	92.2 (108.6)



Note 1) Use DC90V for brake input supply depending on Brake specification
2) The dimension in () is for Brake attached motor

ABK Mühendislik Sanayi ve Ticaret Limited Şirketi

Perpa Ticaret Merkezi B Blok Kat:11 No:1682 Okmeydanı 34384 Şişli-İstanbul

Tel: +90 (212) 320 36 30 Pbx Faks: +90 (212) 320 36 31 E-Mail: info@abkm.com.tr Web: www.abkm.com.tr