



DS6300

QUICK REFERENCE GUIDE



UPDATES AND LANGUAGE AVAILABILITY

- UK/US** The latest drivers and documentation updates for this product are available on Internet.
Log on to: www.automation.datalogic.com
- I** Su Internet sono disponibili le versioni aggiornate di driver e documentazione di questo prodotto. Questo manuale è disponibile anche nella versione italiana.
Collegarsi a: www.automation.datalogic.com
- F** Les versions mises à jour de drivers et documentation de ce produit sont disponibles sur Internet. Ce manuel est aussi disponible en version française.
Cliquez sur : www.automation.datalogic.com
- D** Im Internet finden Sie die aktuellsten Versionen der Treiber und Dokumentation von diesem Produkt. Die deutschsprachige Version dieses Handbuchs ist auch verfügbar.
Adresse : www.automation.datalogic.com
- E** En Internet están disponibles las versiones actualizadas de los drivers y documentación de este producto. También está disponible la versión en español de este manual.
Dirección Internet : www.automation.datalogic.com

SERVICES AND SUPPORT

Datalogic provides several services as well as technical support through its website. Log on to www.automation.datalogic.com and click on the [links](#) indicated for further information:

- **PRODUCTS**

Search through the links to arrive at your product page which describes specific Info, Features, Applications, Models, Accessories, and Downloads including the [Genius™](#) utility program, which allows device configuration using a PC. It provides RS232 and Ethernet interface configuration.

- **SERVICE**

- **Overview** - Warranty Extensions and Maintenance Agreements
- **Sales Network**- Listing of Subsidiaries, Repair Centers, Partners
- **Helpdesk**
- **Material Return Authorization**

LEGAL NOTICES

© 2003 - 2010 Datalogic Automation S.r.l. ♦ ALL RIGHTS RESERVED. ♦ Protected to the fullest extent under U.S. and international laws. Copying, or altering of this document is prohibited without express written consent from Datalogic Automation S.r.l.

Datalogic and the Datalogic logo are registered trademarks of Datalogic S.p.A. in many countries, including the U.S.A. and the E.U.

Genius, Step-a-Head, ACR, and ID-NET are trademarks of Datalogic Automation S.r.l. All other brand and product names mentioned herein are for identification purposes only and may be trademarks or registered trademarks of their respective owners.

Datalogic shall not be liable for technical or editorial errors or omissions contained herein, nor for incidental or consequential damages resulting from the use of this material.

DS6300 GENERAL VIEW



Figure A

- ① Laser Beam Output Window
- ② Laser Safety Label

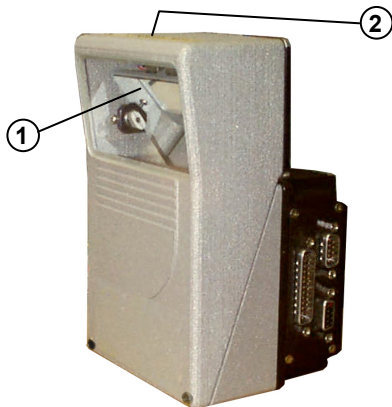


Figure B

- ① Laser Beam Output Window
- ② Laser Safety Label

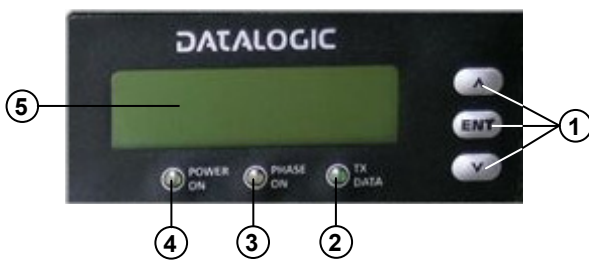
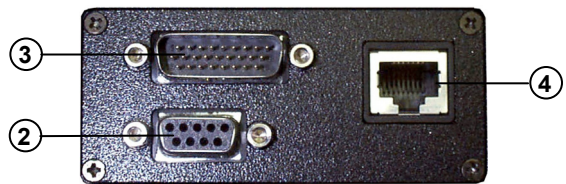


Figure C

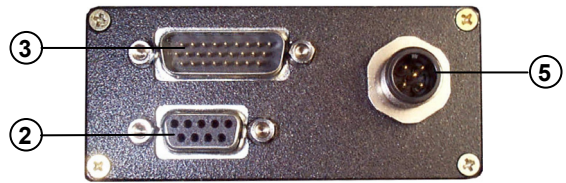
- ① Programming Keypad
- ② TX Data LED (Green)
- ③ Phase On LED (Yellow)
- ④ Power On LED (Red)
- ⑤ LCD Display



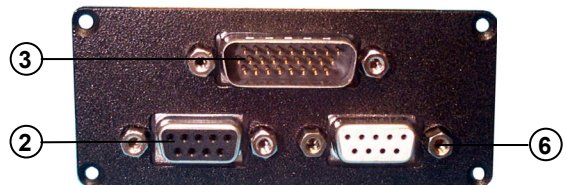
Standard



Ethernet



DeviceNet



Profibus

Figure D

- ① Lonworks 9-pin Male Connector
- ② Lonworks 9-pin Female Connector
- ③ Serial Interface and I/O 25-pin (26-pin) male Connector
- ④ RJ45 Modular Ethernet Connector
- ⑤ DeviceNet 5-pin Male Connector
- ⑥ Profibus 9-pin Female Connector (white)

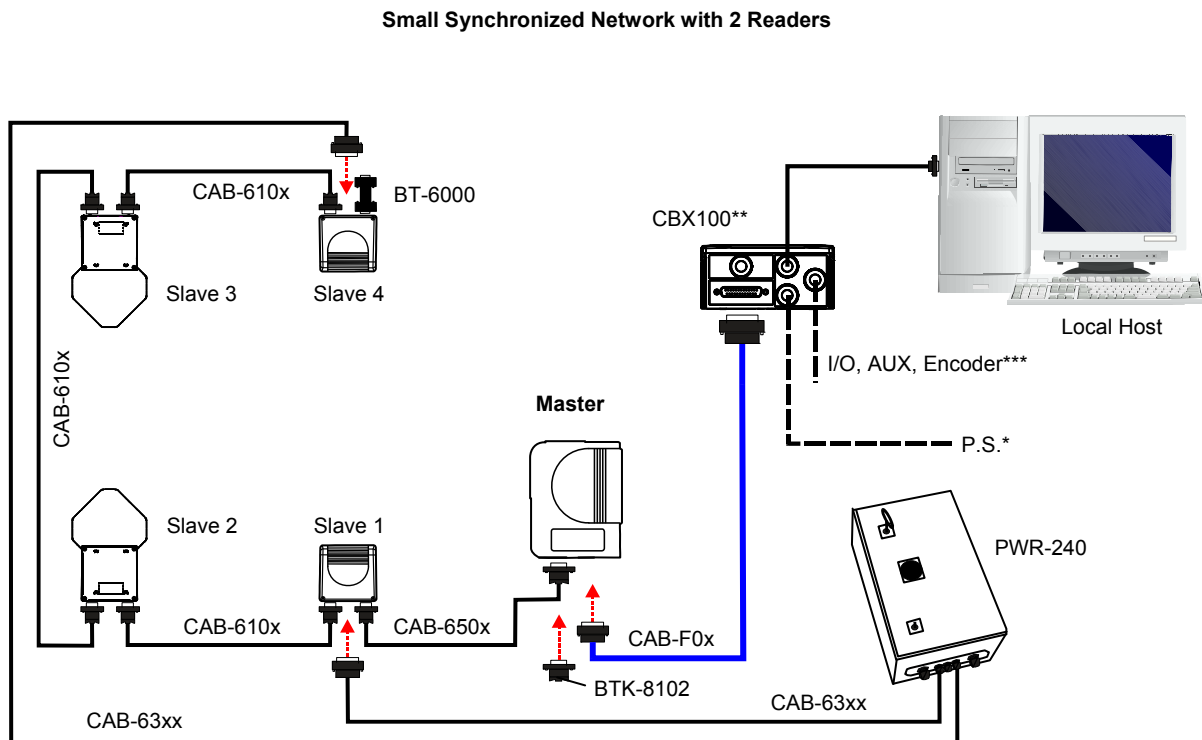
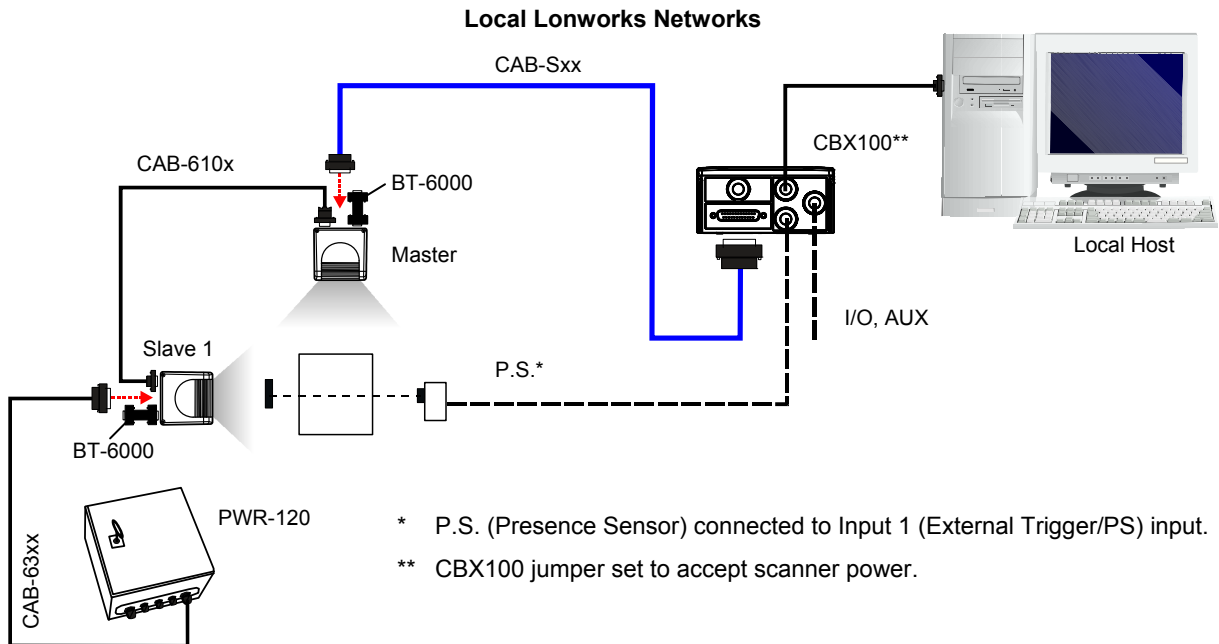


NOTE

For further details on product installation, see the complete Reference Manual available on the configuration CD-ROM included with this product.

CONNECTIVITY

Examples of the most common system layouts are shown in this section, for additional layouts refer to the Reference Manual.



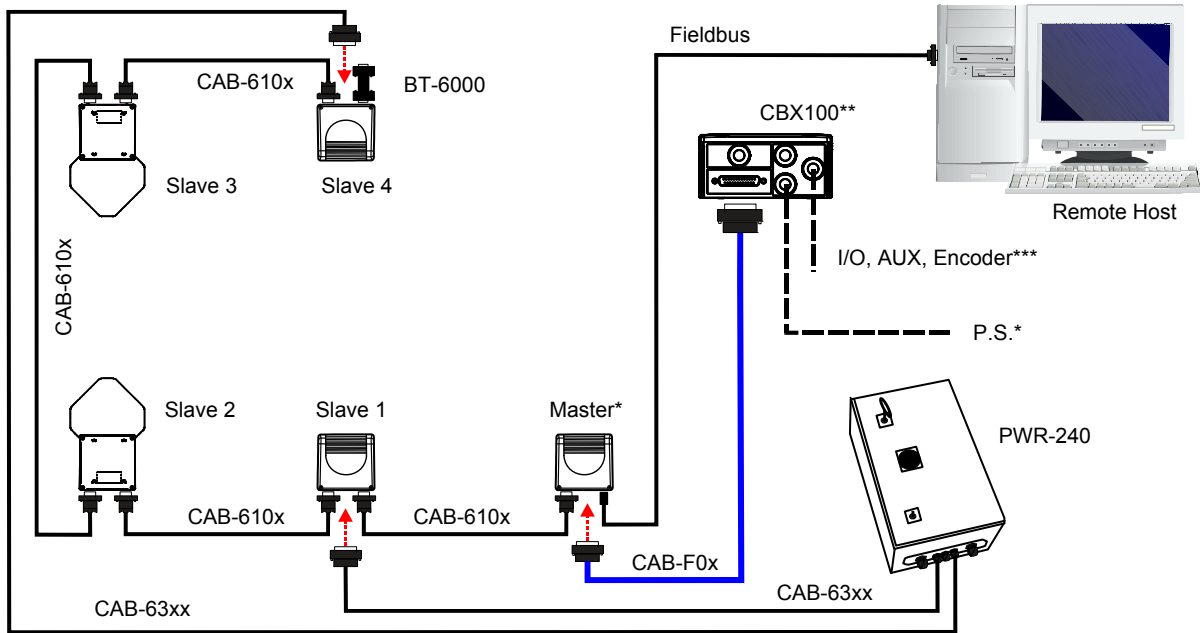
Note: In a mixed 8K and 6K family scanner network, only the 8K family scanner can be Master

* P.S. (Presence Sensor) connected to Input 1 (External Trigger/PS) input.

** CBX100 jumper set to accept scanner power.

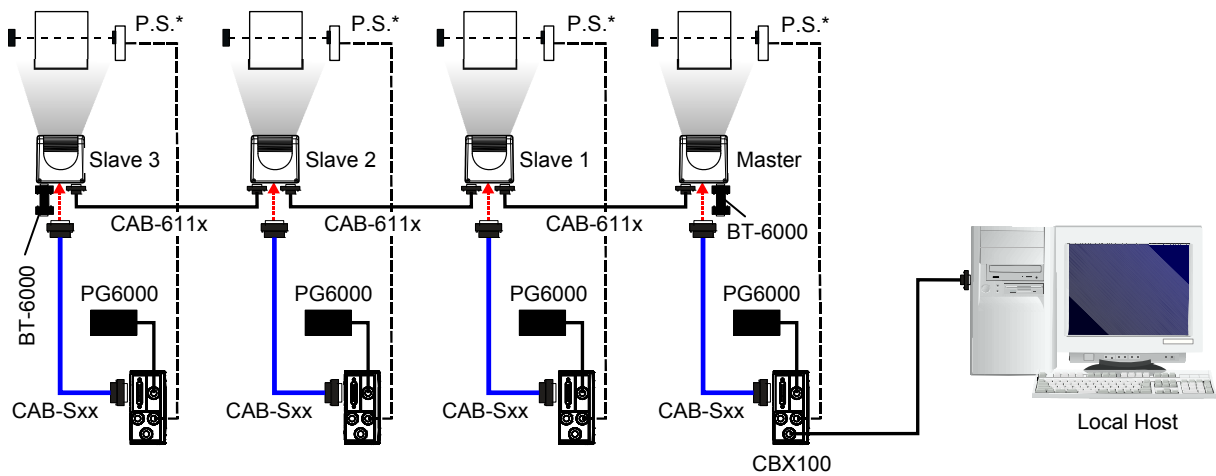
*** Encoder connected to Input 2 (Encoder) input.

Synchronized Network with DS8100A Master and 6K Family Slaves - Serial Host



- * P.S. (Presence Sensor) connected to Input 1 (External Trigger/PS) input.
- ** CBX100 jumper set to accept scanner power.
- *** Encoder connected to Input 2 (Encoder) input.

Synchronized Network with DS6300 Master and 6K Family Slaves - Fieldbus Host



- * Each P.S. (Presence Sensor) connected to Input 1 (External Trigger/PS) input.

Multidata Network

NETWORK TERMINATION

When building a local Lonworks system the network must be properly terminated by positioning a BT-6000 terminator on the DS6300 master reader (BT-6000 female side) and on the last slave reader (BT-6000 male side).



BT-6000 Network Terminator

ELECTRICAL CONNECTIONS

The details of the connector pins are indicated in the following tables:

The table below gives the pinout of the CBX100/CBX500 terminal block connectors. Use this pinout when the DS6300 reader is connected by means of the CBX100/CBX500:

CBX100/500 Terminal Block Connectors			
Power			
Vdc	Power Supply Input Voltage +		
GND	Power Supply Input Voltage -		
Earth	Protection Earth Ground		
Inputs			
+V	Power Source – Inputs		
-V	Power Reference – Inputs		
I1A	EXT TRIG/PS A (polarity insensitive) for PS		
I1B	EXT TRIG/PS B (polarity insensitive) for PS		
I2A	IN 2/ENC A (polarity insensitive) for Encoder		
I2B	IN 2/ENC B (polarity insensitive) for Encoder		
I3A	IN 3A (polarity insensitive) (only with CBX500)		
I4A	IN 4A (polarity insensitive) (only with CBX500)		
I34B	IN 3B/IN 4B Reference (polarity insensitive) (only with CBX500)		
Outputs			
+V	Power Source - Outputs		
-V	Power Reference - Outputs		
O1+	OUT 1+		
O1-	OUT 1-		
O2+	OUT 2+		
O2-	OUT 2-		
O3A	OUT 3A (polarity insensitive) (only with CBX500)		
O3B	OUT 3B (polarity insensitive) (only with CBX500)		
Auxiliary Interface			
TX	Auxiliary Interface TX		
RX	Auxiliary Interface RX		
SGND	Auxiliary Interface Reference		
Shield			
Shield	Network Cable Shield		
Main Interface			
	RS232	RS485 Full-Duplex	RS485 Half-Duplex
	TX	TX+	RTX+
	RTS	TX-	RTX-
	RX	*RX+	
	CTS	*RX-	
	SGND	SGND	SGND

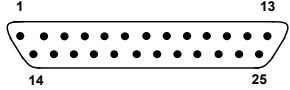
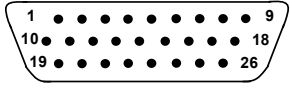
* Do not leave floating, see Reference Manual for connection details.



CAUTION

Do not connect GND and SGND to different (external) ground references. GND and SGND are internally connected through filtering circuitry which can be permanently damaged if subjected to voltage drops over 0.8 Vdc.

The DS6300 scanner provides a 25-pin (26-pin for Fieldbus models) male D-sub connector for connection to power supply, Host interface (Main and Aux), and input/output signals.

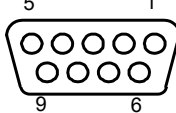
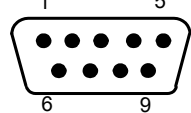
25-pin / 26-pin D-Sub Connector Pinout				
Pin	Name	Function		
1	CHASSIS	Chassis - internally connected to GND Cable shield connected to chassis	 <p>25-pin male D-sub Connector</p>  <p>26-pin male D-sub Connector</p>	
20	RXAUX	Receive data of auxiliary RS232 (referred to GND)		
21	TXAUX	Transmit data of auxiliary RS232 (referred to GND)		
8	OUT 1+	Configurable digital output 1 – positive pin		
22	OUT 1-	Configurable digital output 1 – negative pin		
11	OUT 2+	Configurable digital output 2 – positive pin		
12	OUT 2-	Configurable digital output 2 – negative pin		
16	OUT 3A	Configurable digital output 3 – polarity insensitive		
17	OUT 3B	Configurable digital output 3 – polarity insensitive		
18	EXT_TRIG/PS A	External trigger (polarity insensitive) for PS		
19	EXT_TRIG/PS B	External trigger (polarity insensitive) for PS		
6	IN2/ENC A	Input signal 2 (polarity insensitive) for Encoder		
10	IN2/ENC B	Input signal 2 (polarity insensitive) for Encoder		
14	IN3A	Input signal 3 (polarity insensitive)		
15	IN4A	Input signal 4 (polarity insensitive)		
24	IN_REF	Common reference of IN3 and IN4 (polarity insensitive)		
9, 13	VS	Supply voltage – positive pin		
23, 25, 26	GND	Supply voltage – negative pin		
Main Interface				
Pin	RS232	RS485 Full-Duplex		RS485 Half-Duplex
2	TX	TX485+	RTX485+	
3	RX	* RX485+		
4	RTS	TX485-	RTX485-	
5	CTS	* RX485-		
7	GND_ISO	GND_ISO	GND_ISO	

* Do not leave floating, see Reference Manual for connection details.

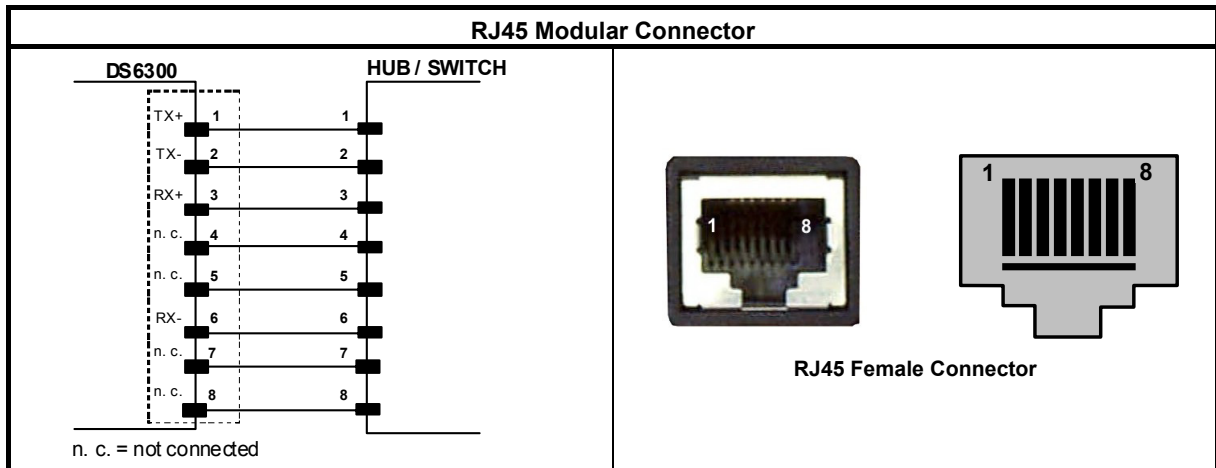
Two 9-pin connector(s) provide access to the scanner’s local Lonworks network.

The Master/Slave model has two Lonworks connectors used for both input and output connections to build a multi-sided or omni-station system.

The Fieldbus models have one Lonworks connector and therefore can be used in a Lonworks network only as a Master.

9-pin Lonworks Connector Pinout			
Pin	Name	Function	
1	CHASSIS	Cable shield internally connected by capacitor to chassis	 <p>Female</p>  <p>Male (M/S model only)</p> <p>9-pin Local Lonworks Connectors</p>
9	VS	Supply voltage – positive pin	
2	GND	Supply voltage – negative pin	
6	VS_I/O	Supply voltage of I/O circuit	
3	Ref_I/O	Reference voltage of I/O circuit	
4	SYS_ENC_I/O	System signal	
5	SYS_I/O	System signal	
7	LON A	Lonworks line (polarity insensitive)	
8	LON B	Lonworks line (polarity insensitive)	

Ethernet Model



DeviceNet Model

When using DeviceNet, the Main serial interface is disabled and must not be physically connected.

NOTE

5-pin DeviceNet Connector Pinout

Pin	Name	Function
2	V+	Supply voltage – positive pin
5	CAN_L	CAN bus data line – L
1	SHIELD	Shield
4	CAN_H	CAN bus data line – H
3	V-	Supply voltage – negative pin

5-pin male DeviceNet Connector

The power supplied on pin V+ and V- is used only to propagate power to the section of the DeviceNet board directly connected to the Bus. It is completely isolated from the DS6300 power which must be supplied on pin 9, 13 and pin 23, 25 of the 26-pin Main/Aux connector.

NOTE

Profibus Model

9-pin Profibus Connector

Pin	Name	Function
1	Shield	Shield, Protective Ground resp. (optional)
2	Free	
3	B-LINE (Rx/D/TxD-P)	Received/Transmitted Data-P
4	CNTR-P	Repeater Control Signal (optional, RS485 level)
5	DGND	Data Ground (M5V)
6	+5 V	Voltage Plus (P5V)
7	Free	
8	A-LINE (Rx/D/TxD-N)	Received/Transmitted Data
9	CNTR-N	Repeater Control Signal

9-pin female Profibus Connector (white)

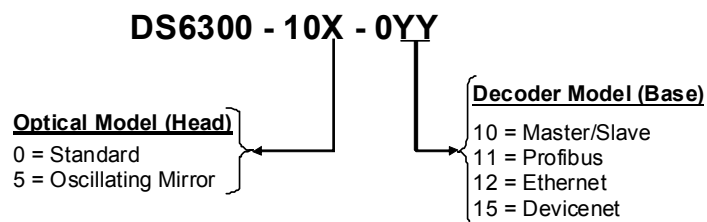
APPENDIX

TECHNICAL FEATURES

ELECTRICAL FEATURES		
Supply Voltage	15 to 30 Vdc	
Power Consumption	1.0 to 0.5 A; 15 W typical 1.3 to 0.5 A; 20 W Max. (including startup current)	
Common Communication Interfaces	Main	Baud Rate
	RS232	1200 to 115200
	RS485 full-duplex	
	RS485 half-duplex	
	Auxiliary	
	RS232	1200 to 115200
	Other	
Lonworks	1.25 Mb/s	
Model-Dependent Communication Interfaces	Ethernet DeviceNet Profibus	100 Mb/s up to 500 Kb/s up to 12 Mb/s
Inputs Ext. Trigger 1, Encoder 2 aux. digital inputs	(optocoupled NPN or PNP)	
Outputs 3 software programmable digital outputs	(optocoupled)	
OPTICAL FEATURES		
Light Receiver	Avalanche photodiode	
Wavelength	630 to 680 nm	
Safety Class	Class 2 - EN60825-1; Class II - CDRH	
Laser Control	Security system to turn laser off in case of motor slow down	
READING FEATURES		
Scan rate	600 to 1200 scans/s	
Maximum Resolution Max. Reading Distance Max. Reading Width Max. Depth of Field	(see reading diagrams)	
USER INTERFACE		
LCD Display	2 lines by 16 characters LCD	
Keypad	3 keys	
LED Indicators	Power On (red) Phase On (yellow) TX Data (green)	

SOFTWARE FEATURES		
Readable Codes	Interleaved 2/5 Code 39 Standard Codabar Code 128 EAN 128 Code 93 (standard and full ASCII) EAN/UPC (including Add-on 2 and Add-on 5) GS1 DataBar (including Limited and Expanded)	
Code Selection	Up to 10 codes during one reading phase	
Headers and Terminators	Up to 128-bytes headers and 128-bytes terminators	
Operating Modes	On Line, Serial On Line, Automatic, Test, Continuous	
Configuration Modes	Genius™ utility program	
Parameter Storage	Non-volatile internal FLASH	
ENVIRONMENTAL FEATURES		
Operating Temperature	0° to +40 °C (+32° to +104 °F)	
Storage Temperature	-20° to +70 °C (-4° to +158 °F)	
Humidity	90% non condensing	
Ambient Light Immunity	3500 lux	
Vibration Resistance EN 60068-2-6 2 hours on each axis	14 mm @ 2 to 10 Hz; 1.5 mm @ 13 to 55 Hz; 2 g @ 70 to 200 Hz	
Shock Resistance EN 60068-2-27 3 shocks on each axis	30 g; 11 ms	
	Ethernet models	Master/Slave models
Protection Class – EN 60529	IP50	IP64
PHYSICAL FEATURES	Standard models	Oscillating Mirror models
Mechanical Dimensions	110x113x99 (4.33x4.45x3.9)	113x180x104.5 (4.45x7.08x4.11)
Weight	1.5 kg (3.3 lb)	2.0 kg (4.4 lb)

MODEL DESCRIPTION



ACCESSORIES

Name	Description	Part Number
Power Supplies		
PG6002	Single unit power supply (US)	93ACC1718
PG6001	Single unit power supply (UK)	93ACC1719
PG6000	Single unit power supply (EU)	93ACC1720
PWR-120	J-box power unit 110/230 VAC 24 V 120 W	93ACC1530
PWR-240	J-box power unit 110/230 VAC 24 V 240 W	93ACC1070
PWR-480A	J-box power unit 110/230 VAC 24 V 480 W	93ACC1850
Cables and Terminators		
BT-6000	Bus terminator	93A051299
CAB-6101	9-pin scanner/scanner connection cable 1 m	93A051220
CAB-6102	9-pin scanner/scanner connection cable 2 m	93A051230
CAB-6105	9-pin scanner/scanner connection cable 5 m	93A051240
CAB-6112	9-pin scanner to scanner no power cable 2 m	93A051224
CAB-6115	9-pin scanner to scanner no power cable 5 m	93A051225
CAB-6305	25-pin power cable Fam 6k 5 m	93ACC1768
CAB-6310	25-pin power cable Fam 6k 10 m	93ACC1752
CAB-S01	STD cable to CBX 1 m (25-pin to 25-pin)	93A051351
CAB-S02	STD cable to CBX 2 m (25-pin to 25-pin)	93A051352
CAB-S05	STD cable to CBX 5 m (25-pin to 25-pin)	93A051353
CAB-S10	STD cable to CBX 10 m (25-pin to 25-pin)	93A051354
CAB-F01	6K-8K FBUS cable to CBX 1 m (26-pin to 25-pin)	93A051355
CAB-F02	6K-8K FBUS cable to CBX 2 m (26-pin to 25-pin)	93A051356
CAB-F05	6K-8K FBUS cable to CBX 5 m (26-pin to 25-pin)	93A051357
CAB-6502	Fam 6K-8K cross cable 2.5 m (9-pin to 17-pin)	93A051288
CAB-6505	Fam 6K-8K cross cable 5 m (9-pin to 17-pin)	93A051289
Software Management		
Datalogic WebSentinel-005	Supervisor (up to 5 arrays)	93A101014
Datalogic WebSentinel-010	Supervisor (up to 10 arrays)	93A101015
Datalogic WebSentinel-020	Supervisor (up to 20 arrays)	93A101016
Datalogic WebSentinel-032	Supervisor (up to 32 arrays)	93A101017
Datalogic WebSentinel-064	Supervisor (up to 64 arrays)	93A101018
Datalogic WebSentinel-128	Supervisor (up to 128 arrays)	93A101019
Datalogic WebSentinel-256	Supervisor (up to 256 arrays)	93A101020
Mirrors		
GFC-60	90° mirror	93A201100
GFC-600	90° mirror close distance	93A201102
* Connection Boxes		
CBX100	Compact Connection Box	93A301067
CBX500	Modular Connection Box	93A301068
CBX800	Gateway Connection Box	93A301077
BM100	Backup Module	93ACC1808
BA100	DIN Rail Adapters for CBX	93ACC1821
BA200	Bosch Adapters for CBX	93ACC1822
BA900	Two Cable Glands Panel	93ACC1847
Sensors		
MEP-593	Photocell kit – PNP (PH-1)	93ACC1791
MEP-543	Photocell kit – NPN	93ACC1728
OEK-2	Optical encoder kit (10 m cable + spring)	93ACC1770
OEK-1	Optical encoder kit + 10 m cable	93ACC1600
Brackets		
FBK-6000	Fast bracket kit (2 pcs)	93ACC1721
US-60	Mounting bracket kit (5 pcs) for multisided stations	890001020

* DS6300 application software does not support any of the CBX500 Host Interface Module accessories nor the BM150 Display accessory. Use the CBX800 Gateway for Host Interface Applications, (Fieldbus and non Fieldbus).

OSCILLATING MIRROR MODEL

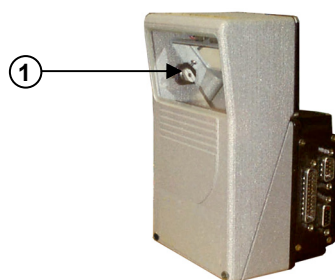


Figure A

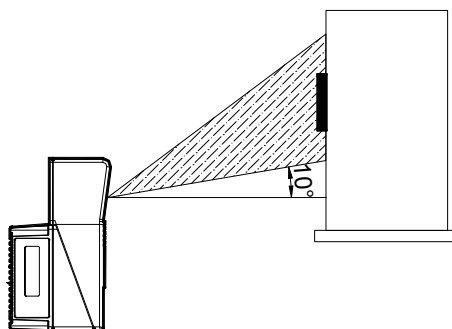
① Laser Beam Output Window

Oscillating mirror models are used when coverage of a large reading area is required, mainly in picket fence applications.

The DS6300 scanner mounts a dedicated optic head with integrated oscillating mirror driven by a linear motor. The speed, precision, repeatability, and reliability of this driving technology assure high level performance.

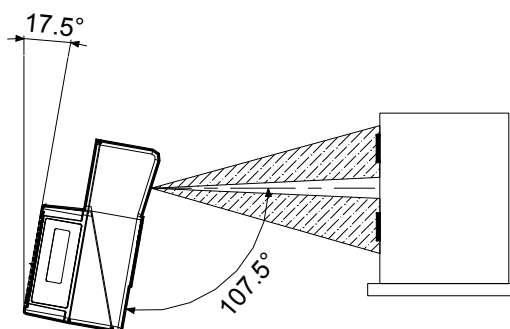
The new oscillating mirror is completely software controlled and software programmable. The Genius™ software tool allows adjusting the linear motor speed (oscillating frequency) and the upper and lower limits of the oscillation by defining the top and bottom line limit angles.

When the oscillating mirror is programmed to read barcode labels at very small angles, position the reader to **assure at least 10°** for the Skew angle (see DS6300 Reference Manual). This angle refers to the most inclined or external laser line, so that all other laser lines assure more than 10° Skew. This avoids the direct reflection of the laser light emitted by the reader.



Oscillating Mirror Skew Angle

Otherwise, the scanner can be mounted at an angle of inclination of 17.5° in order to attain symmetrical deflection ranges.



Oscillating Mirror Reading Position

In the above case, the zone where the scan line is perpendicular to the reflecting surface corresponds to a neutral zone at the center of the reading field.


The mirror can be deflected up to 40°. Oscillation with respect to the output window median axis is asymmetrical (see figure below).



Oscillating Mirror Maximum Aperture and Asymmetry

By configuring the oscillating speed up to the maximum value of 19 Hz, raster emulation can be performed for reading fast moving objects.

Hz	Max. Aperture
0-5	40°
6-10	30°
11-15	20°
16-19	10°

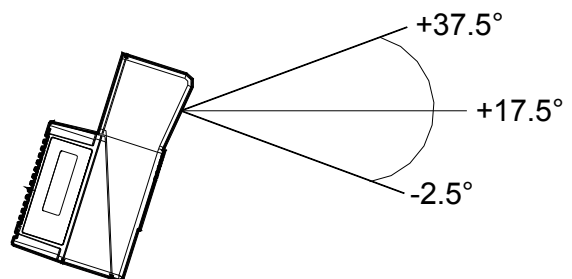


By limiting the raster width to the minimum necessary, the number of scans on the reading surface is increased.

NOTE

Oscillating angles are selected in software where the minimum and maximum angles correspond to -2.5° and +37.5°.

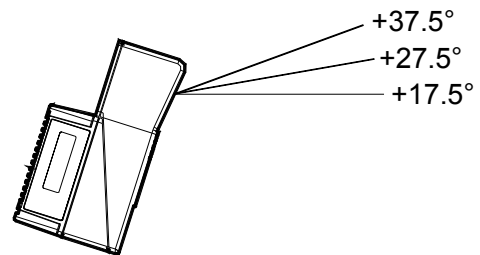
The scanner can be tilted in order for the 17.5° software setting to correspond with the 0° horizontal plane.



Oscillating Mirror Extreme Angle Positions

These models provide higher scanning speed (1200 scans/sec) compared to standard models and the reading performance is not adversely effected by the oscillating mirror.

The example represents the selection of an angle of +10° for the bottom line and an angle of +20° for the top line (see figure beside).



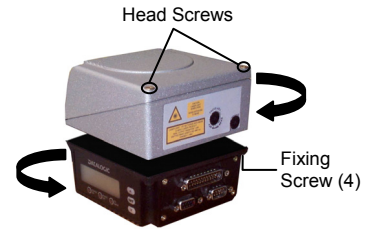
Oscillating Mode

MECHANICAL INSTALLATION

The DS6300 reader can be positioned and installed in the best way possible as a result of the patented Step-A-Head™ feature. Thanks to the separation between Head and Base, you can modify the orientation of the decoder base, and therefore display-keypad and connector panels, while keeping the optic head in the correct reading position. The reading head and the decoder base can be rotated independently from each other allowing the installation even in the most critical locations.

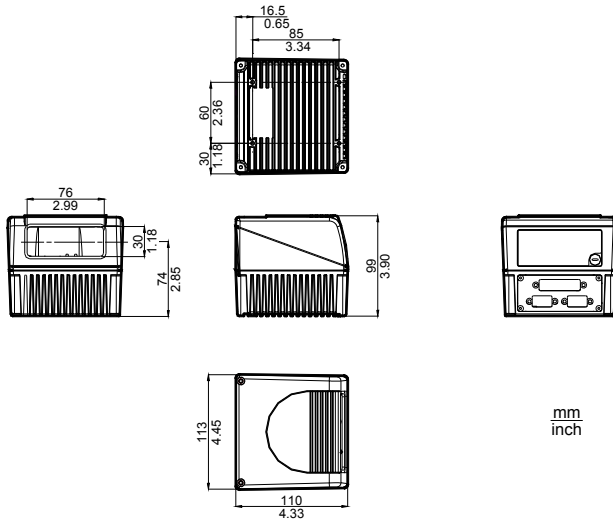
To rotate the head follow the given procedure:

1. detach the head from the base by unscrewing the four fixing screws;
2. rotate the head in the desired position;
3. loosen but don't remove the two screws on top of the head;
4. affix the head onto the base carefully aligning the four fixing screws and progressively tightening them about half-way;
5. completely tighten the two screws on top of the head;
6. completely tighten the four fixing screws.

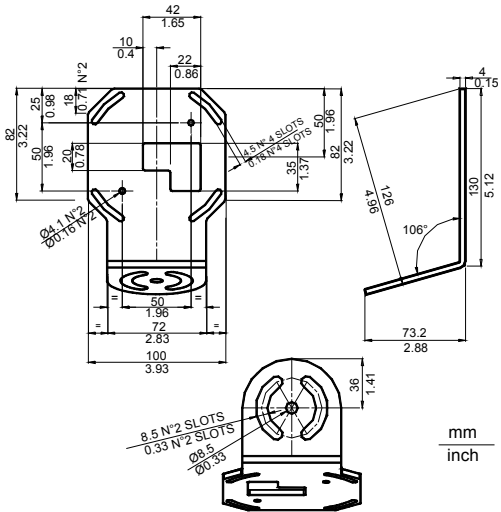


Step-A-Head™ Feature

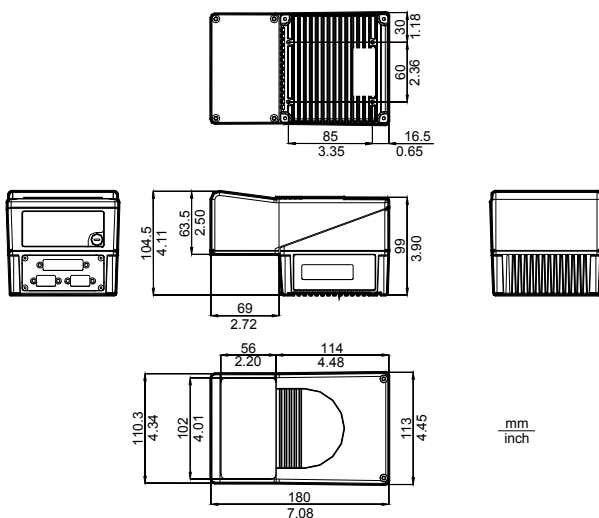
The following diagrams give the overall dimensions of the reader standard model, oscillating mirror model and mounting bracket. They may be used for their installation:



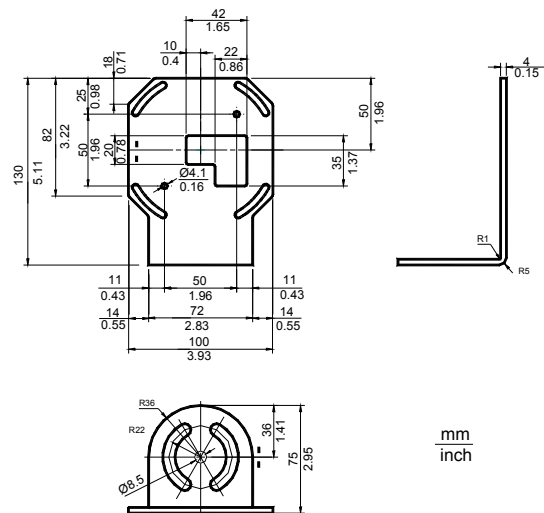
DS6300 Overall Dimensions



ST-237 Mounting Bracket Overall Dimensions



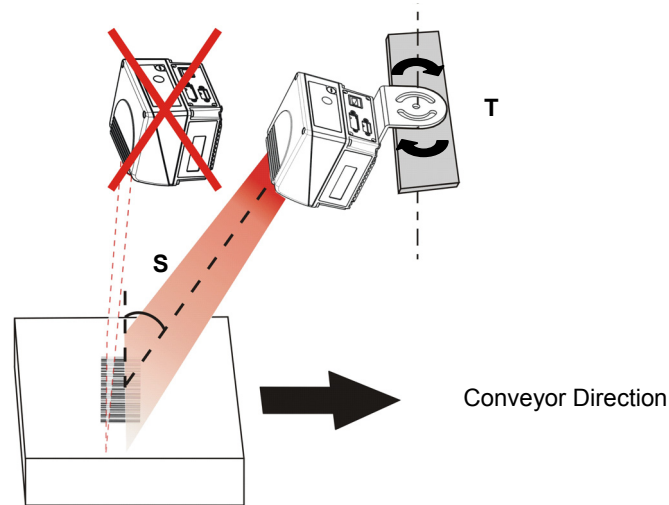
DS6300 Oscillating Mirror Model Overall Dimensions



ST-210 Mounting Bracket Overall Dimensions

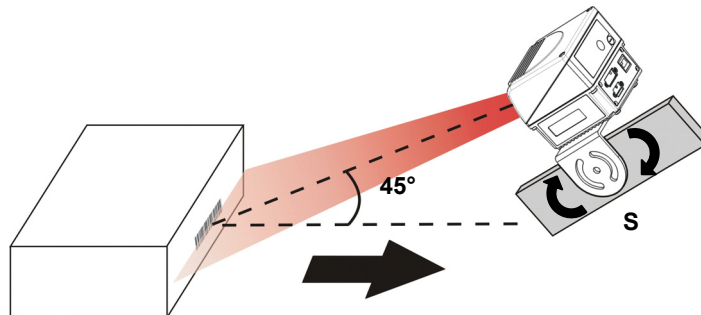
16° Skew Positioning

The DS6300 scanner is mounted on the ST-237 106° mounting bracket which guarantees a built-in Skew angle (**S** in the figure below) of 16° with respect to the frame plane (typically the Skew angle should be between 10° - 20°). This avoids the direct reflection of the laser light emitted by the scanner. Furthermore, the bracket guides allow adjusting the Tilt angle (**T** in the figure below, which is typically 0°) for the best scanner orientation:



45° Skew Positioning

The DS6300 scanner is mounted on the ST-210 90° mounting bracket. By adjusting the mounting bracket guides, reach 45° for the Skew angle (**S** in the figure below) to avoid the direct reflection of the laser light emitted by the scanner:



CAUTION

If using the 45° Skew installation, the scanner reading performance is not guaranteed to match that measured for the standard installation with Skew angle between 10° - 20° (see reading diagrams).



NOTE

The ST-210 mounting bracket is an accessory of the DS6300 standard model available in the US-60 kit (890001020).



WARNING


When installing several scanners, take care to position them correctly so that no laser beam enters the reading window perpendicularly and at the same level of the output beam of the other scanners. This condition could occur more frequently for side mounted applications. If these precautions are not followed, it may occur that the laser of the blinded scanner starts blinking due to an internal circuit which temporarily turns the laser off when detecting a power anomaly. To resolve this problem, it is sufficient to slightly change the inclination and position of one of the two scanners involved.

Focus Adjustment

The DS6300 provides a manual adjustment of the optics to optimize the reading performance by choosing the best focus between two extreme positions. The focus adjustment is continuous and not by step; thus, allowing an optimum adjustment around the selected position. The relative focus positions range from 0 to 100.

The adjustment can be simply made through an external screw placed on the back of the optic HEAD and protected by a cap. The screw may be rotated either clockwise or counterclockwise in order to move the scanner internal lenses. In particular, a clockwise rotation causes a farther focus from the scanner, while a counterclockwise rotation causes a nearer focus to the scanner.

An internal sensor tracks the exact laser beam focusing position allowing it to be shown on the reader display or through the Genius™ software program.



Do not stare at the laser beam output window during this operation to avoid hazardous visible laser light.

WARNING

Refer to the following instructions when adjusting the focus:

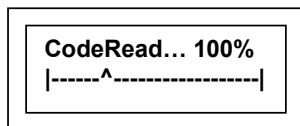
- 1) Remove the regulation screw protecting cap (see following Figure) positioned on the back of the optic Head;
- 2) Press and hold both the ▲ (up arrow) and ▼ (down arrow) key for about 2 seconds to enter the Main menu;
- 3) Use the ▲ (up arrow) or ▼ (down arrow) key to select “Test Mode” item, then press the ENT (enter) key to confirm. The reader enters Test Mode;
- 4) Press the ENT (enter) key to toggle between the graphical (default) and numerical visualization of the focus position;

Display Visualization

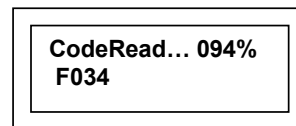
The first line of the display shows the read code and Good Read percentage. Possible suspending commas at the end of the code mean that the code is too long to be displayed.

The second line of the display indicates the value of the focus position according to the table below. The indications “Too Near” or “Too Far” are represented for values outside the focus range.

	Graphical Visualization		Numerical Visualization
A	---^----- → where ^ indicates the focus position		Fxxx → where xxx ranges from 000 to 100
B	N----- → where N indicates that the focus position is “Too Near”		Too Near
C	-----F → where F indicates that the focus position is “Too Far”		Fxxx* → where xxx is greater than 100



Graphical Visualization

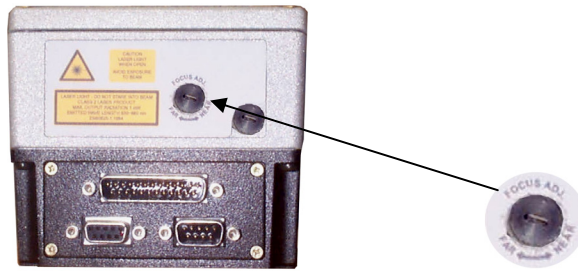


Normal Visualization

- 5) Rotate the focus adjustment screw to reach the desired focus position. The display is refreshed with the new values;¹
- 6) Press the ▲ (up arrow) key to exit the Test Mode;

¹ To avoid breakage, do not use excessive force when rotating the focus adjustment screw.

- 7) Use the ▲ (up arrow) and ▼ (down arrow) key to select the “Exit” item, then press the ENT (enter) key to confirm. The scanner exits the Main Menu and returns to its current operating mode.



Focus Adjustment Screw

The reader display shows the focus position only when the laser beam is activated.

NOTE

It is possible to visualize the focus position and the reading percentage on the terminal tool provided by the Genius™ configuration program (see Genius™ Help On-Line for details).

READING CONDITIONS

- ANSI Grade B minimum
- 800 scans/sec

The following tables describe the requirements for standard applications.

		Minimum Code Height for ACR Reading (mm)											
		45°						30°					
		0.5	1	1.5	2	2.5	3	0.5	1	1.5	2	2.5	3
Conveyor Speed (m/s)													
2/5 Interleaved Code Resolution (mm)	0.25	10	12	14	16	18	20	7	9	10	12	13	15
	0.30	12	14	15	17	19	21	8	9	11	12	14	15
	0.33	13	14	16	18	20	22	8	10	11	13	14	16
	0.38	14	16	18	19	21	23	9	11	12	14	15	17
	0.50	18	19	21	23	25	26	11	12	14	15	17	18
	0.72	24	25	27	28	30	32	15	16	17	19	20	22
	1.00	33	34	35	36	38	40	20	21	22	23	25	26

Ratio 3:1

Table 1

		Minimum Code Height for ACR Reading (mm)											
		45°						30°					
		0.5	1	1.5	2	2.5	3	0.5	1	1.5	2	2.5	3
Conveyor Speed (m/s)													
Code 39 Code Resolution (mm)	0.25	9	10	12	14	16	17	6	7	9	10	12	13
	0.30	10	11	13	15	17	18	7	8	9	11	12	14
	0.33	11	12	13	15	17	19	7	8	10	11	13	14
	0.38	12	13	14	16	18	20	8	9	10	12	13	15
	0.50	15	16	17	18	20	22	10	10	11	13	14	16
	0.72	20	21	22	23	24	26	13	13	14	15	17	18
	1.00	27	28	29	30	31	32	17	17	18	19	20	21

Ratio 3:1; Interdigit = Module Size

Table 2

		Minimum Code Height for ACR Reading (mm)											
		45°						30°					
		0.5	1	1.5	2	2.5	3	0.5	1	1.5	2	2.5	3
Conveyor Speed (m/s)													
Code 128 – Ean 128 Code Resolution (mm)	0.25	8	9	11	13	15	17	5	7	8	10	11	13
	0.30	8	10	12	14	16	18	6	7	9	10	12	13
	0.33	9	11	13	14	16	18	6	8	9	11	12	14
	0.38	10	11	13	15	17	19	7	8	10	11	13	14
	0.50	12	13	15	17	19	21	8	9	11	12	14	15
	0.72	16	17	19	21	22	24	10	11	13	14	16	17
	1.00	22	23	24	25	27	29	13	14	15	17	18	20

Table 3

		Minimum Code Height for ACR Reading (mm)											
		45°						30°					
		0.5	1	1.5	2	2.5	3	0.5	1	1.5	2	2.5	3
Conveyor Speed (m/s)													
Codabar Code Resolution (mm)	0.25	8	9	11	13	15	17	5	7	8	10	11	13
	0.30	9	10	12	14	16	18	6	7	9	10	12	13
	0.33	9	11	13	14	16	18	6	8	9	11	12	14
	0.38	10	11	13	15	17	19	7	8	10	11	13	14
	0.50	13	14	15	17	19	21	8	9	11	12	14	15
	0.72	17	18	19	21	22	24	11	12	13	14	16	17
	1.00	23	24	25	26	27	29	14	15	16	17	18	20

Ratio 3:1; Interdigit = Module Size

Table 4

		Minimum Code Height for ACR Reading (mm)											
		45°						30°					
		0.5	1	1.5	2	2.5	3	0.5	1	1.5	2	2.5	3
Conveyor Speed (m/s)													
EAN 8-13, UPC-A Code Resolution (mm)	0.25	7	9	10	12	14	16	5	6	8	9	11	12
	0.30	8	9	11	13	15	17	6	7	8	10	11	13
	0.33	9	10	11	13	15	17	6	7	9	10	12	13
	0.38	10	11	12	14	16	18	7	7	9	10	12	13
	0.50	12	13	14	15	17	19	8	9	10	11	13	14
	0.72	16	17	18	19	20	22	10	11	12	13	14	16
	1.00	22	23	24	24	25	26	13	14	15	16	16	18

Table 5

READING DIAGRAMS

In the following reading diagrams (0,0) is the center of the laser beam output window.

DS6300-100-0XX – Resolution: 0.20 mm/8 mils

CONDITIONS

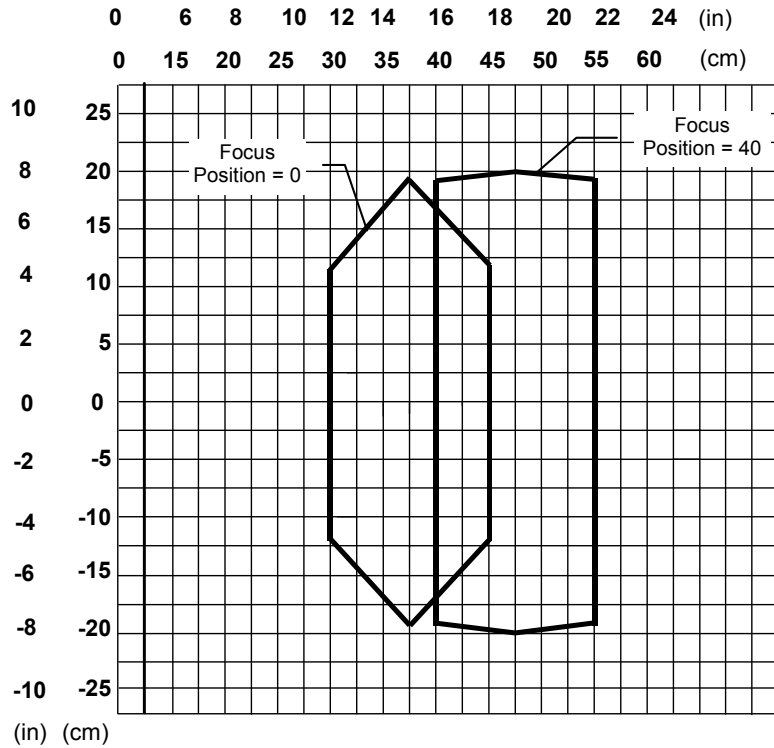
Code = Interleaved 2/5 or Code 39

PCS = 0.90

Pitch angle = 0°

Skew angle = 10° - 20°

Tilt angle = 0°



DS6300-100-0XX – Resolution: 0.30 mm/12 mils

CONDITIONS

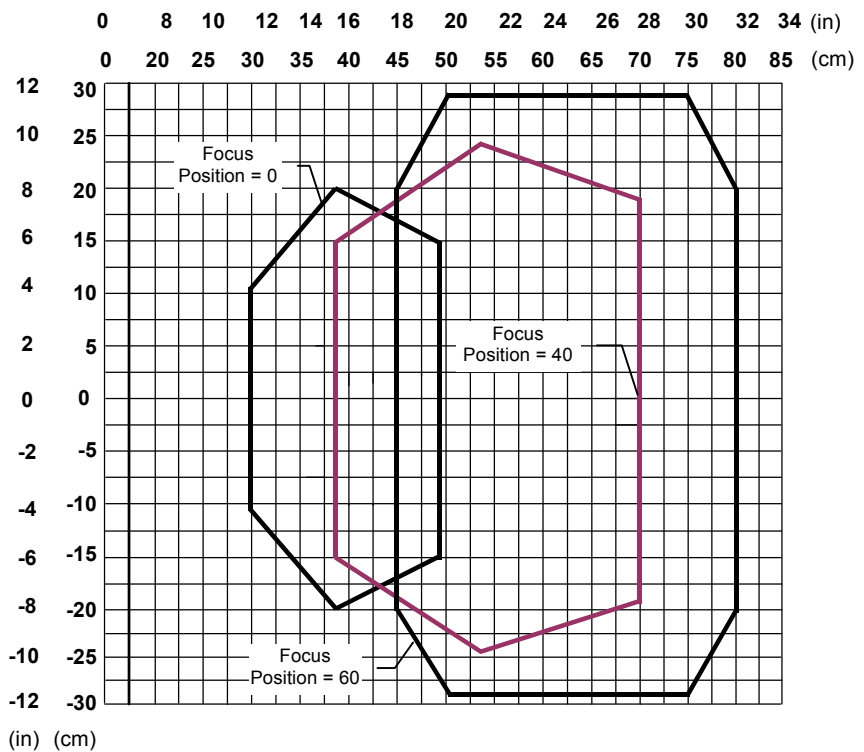
Code = Interleaved 2/5 or Code 39

PCS = 0.90

Pitch angle = 0°

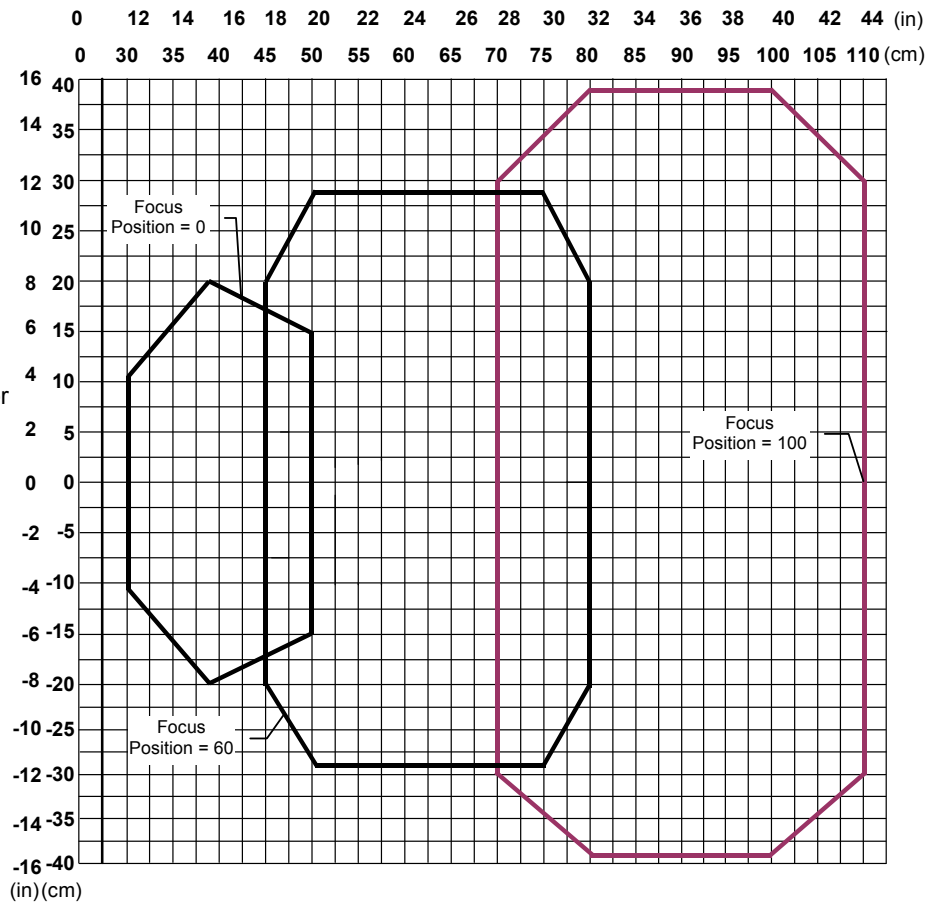
Skew angle = 10° - 20°

Tilt angle = 0°



READING DIAGRAMS

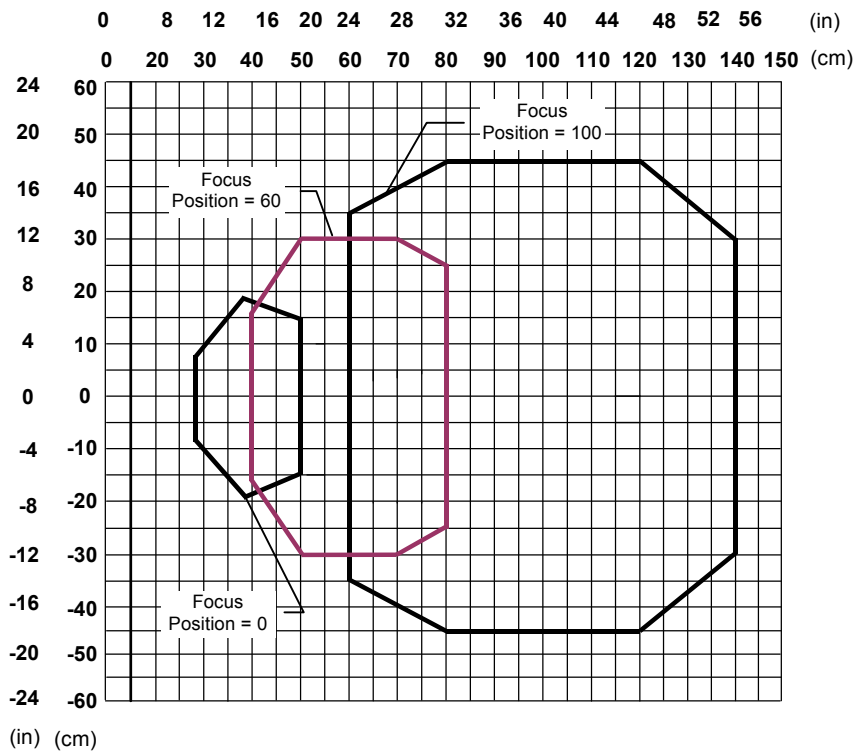
DS6300-100-0XX – Resolution: 0.38 mm/15 mils



CONDITIONS

Code = Interleaved 2/5 or Code 39
 PCS = 0.90
 Pitch angle = 0°
 Skew angle = 10° - 20°
 Tilt angle = 0°

DS6300-100-0XX – Resolution: 0.50 mm/20 mils



CONDITIONS

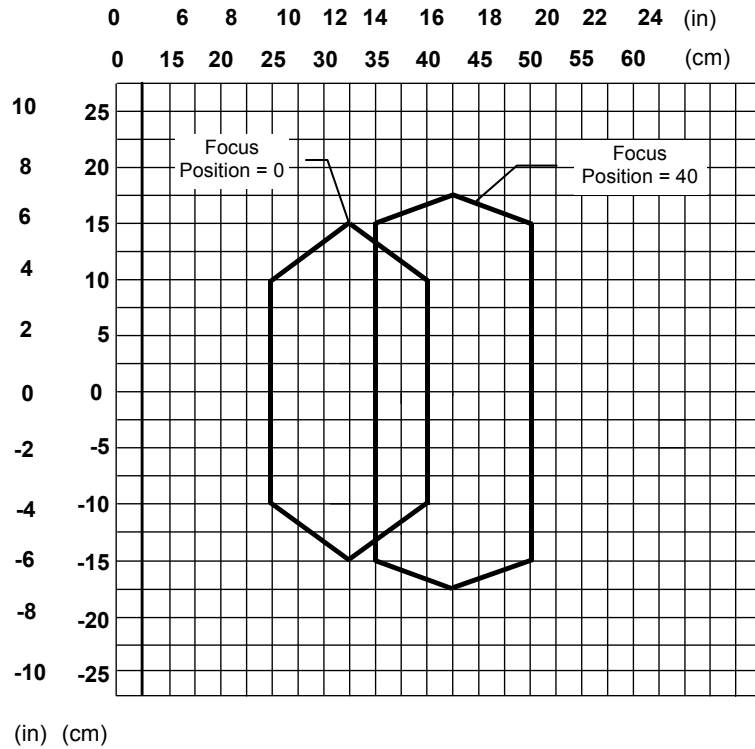
Code = Interleaved 2/5 or Code 39
 PCS = 0.90
 Pitch angle = 0°
 Skew angle = 10° - 20°
 Tilt angle = 0°

READING DIAGRAMS

DS6300-105-0XX (Oscillating Mirror) – Resolution: 0.20 mm/8 mils

CONDITIONS

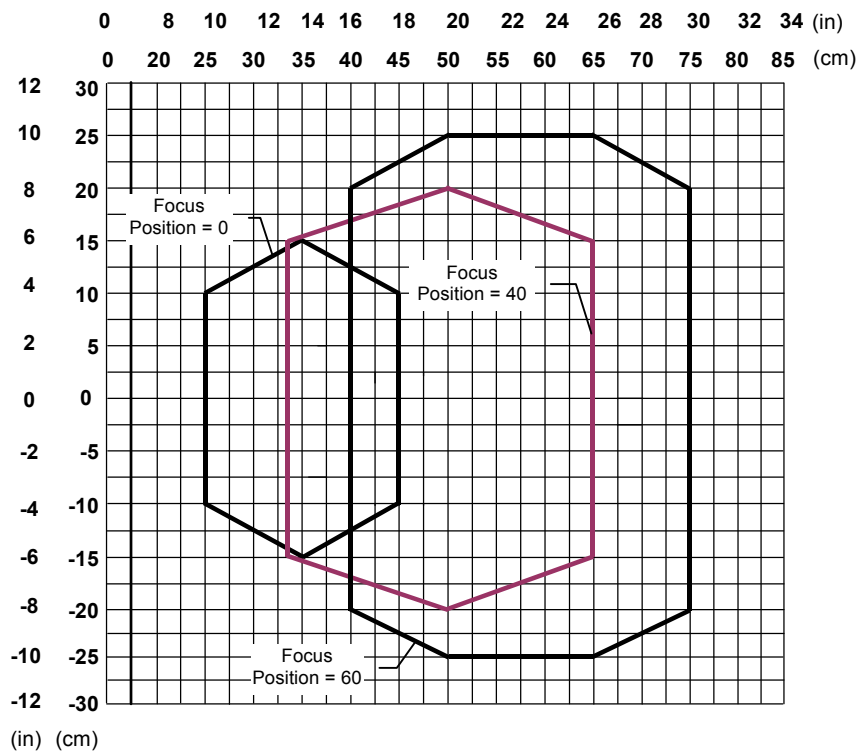
Code = Interleaved 2/5 or Code 39
 PCS = 0.90
 Pitch angle = 0°
 Skew angle = 10° - 20°
 Tilt angle = 0°



DS6300-105-0XX (Oscillating Mirror) – Resolution: 0.30 mm/12 mils

CONDITIONS

Code = Interleaved 2/5 or Code 39
 PCS = 0.90
 Pitch angle = 0°
 Skew angle = 10° - 20°
 Tilt angle = 0°

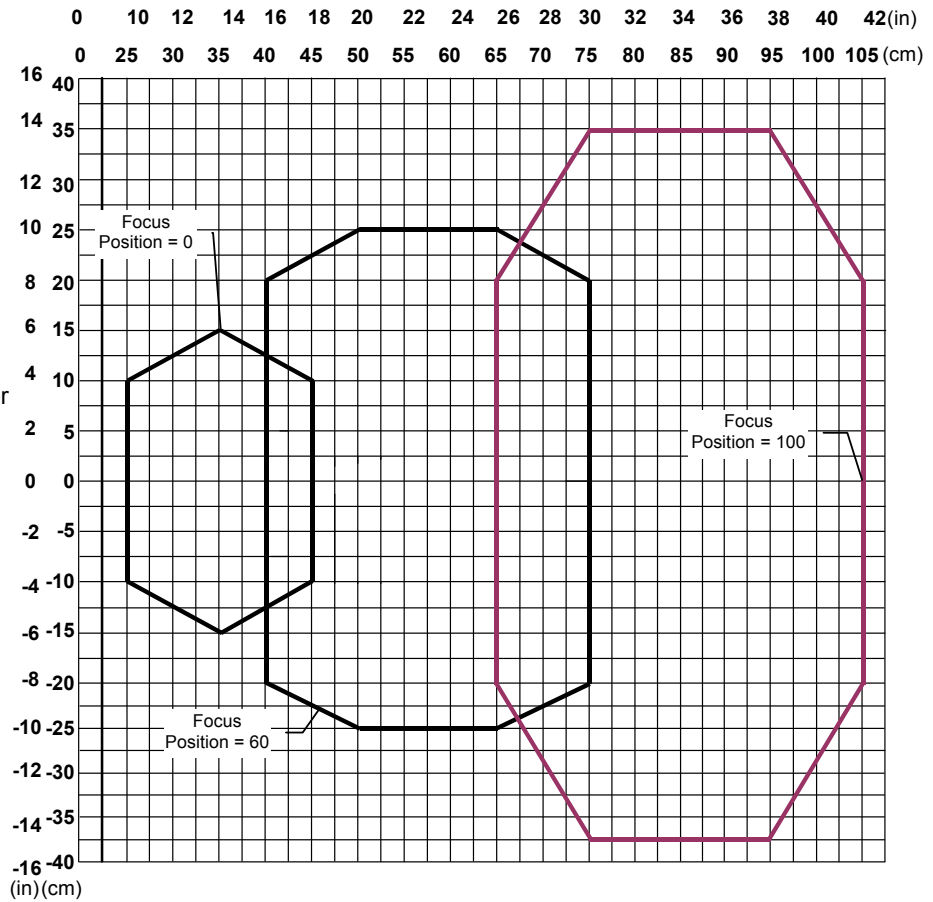


READING DIAGRAMS

DS6300-105-0XX (Oscillating Mirror) – Resolution: 0.38 mm/15 mils

CONDITIONS

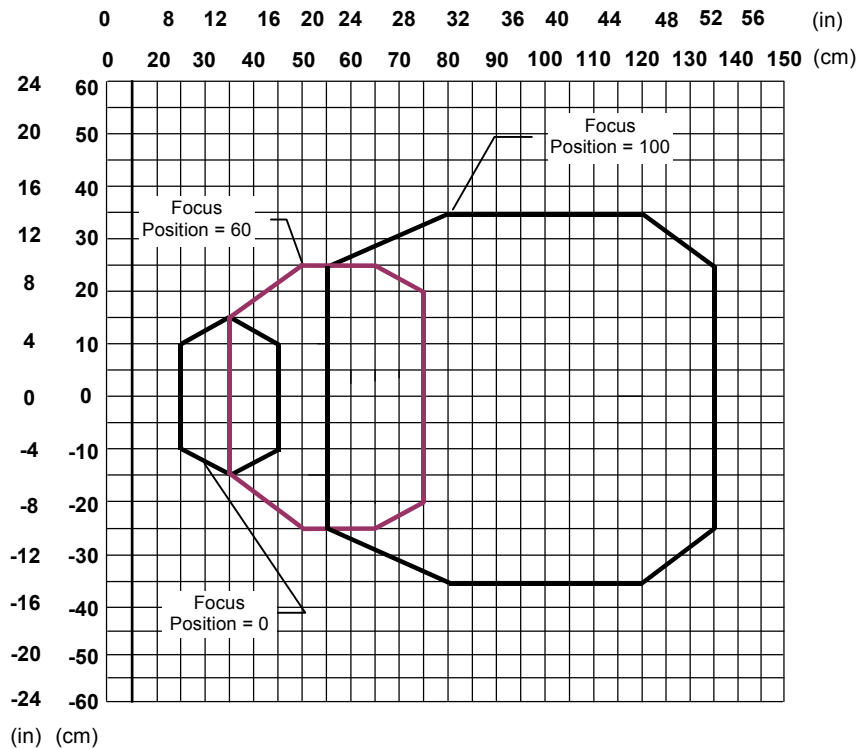
Code = Interleaved 2/5 or Code 39
 PCS = 0.90
 Pitch angle = 0°
 Skew angle = 10° - 20°
 Tilt angle = 0°



DS6300-105-0XX (Oscillating Mirror) – Resolution: 0.50 mm/20 mils

CONDITIONS

Code = Interleaved 2/5 or Code 39
 PCS = 0.90
 Pitch angle = 0°
 Skew angle = 10° - 20°
 Tilt angle = 0°



COMPLIANCE

See the DS6300 Reference Manual for the Declaration of Conformity.

LASER SAFETY



Figure A

① Laser Beam Output Window ② Laser Safety Label

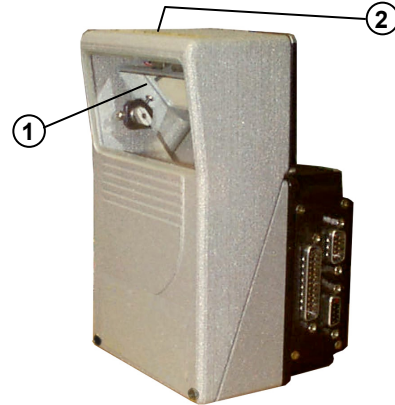


Figure B

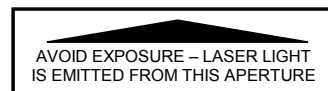
① Laser Beam Output Window ② Laser Safety Label

The scanner is classified as a Class 2 laser product according to EN 60825-1 regulations and as a Class II laser product according to CDRH regulations.

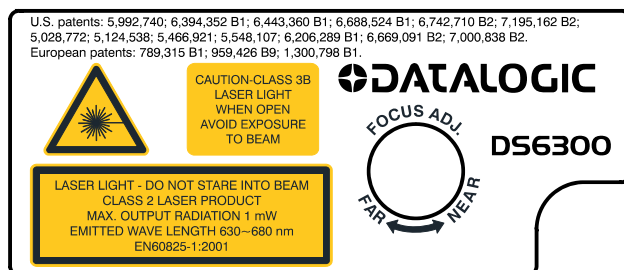
Disconnect the power supply when opening the device during maintenance or installation to avoid exposure to hazardous laser light.

There is a safety device which allows the laser to be switched on only if the motor is rotating above the threshold for its correct scanning speed.

The laser beam can be switched off through a software command (see also the Genius™ Help On-Line).



Laser Safety Label for Oscillating Mirror and Standard Models



Warning and Device Class Label



Device Identification Label

The laser diode used in this device is classified as a Class 3B laser product according to EN 60825-1 regulations and as a Class IIIb laser product according to CDRH regulations. Any violation of the optic parts in particular can cause radiation up to the maximum level of the laser diode (35 mW at 630 ~ 680 nm).

POWER SUPPLY

This product is intended to be installed by Qualified Personnel only.

- **All DS6300 Models:**

This device is intended to be supplied by a UL Listed Power Unit marked "Class 2" or LPS power source which supplies power directly to the scanner via the 25/26-pin connector.

CE COMPLIANCE

Warning:

This is a Class A product. In a domestic environment this product may cause radio interference in which case the user may be required to take adequate measures.

FCC COMPLIANCE

Modifications or changes to this equipment without the expressed written approval of Datalogic could void the authority to use the equipment.

This device complies with PART 15 of the FCC Rules. Operation is subject to the following two conditions: (1) This device may not cause harmful interference, and (2) this device must accept any interference received, including interference which may cause undesired operation.

This equipment has been tested and found to comply with the limits for a Class A digital device, pursuant to part 15 of the FCC Rules. These limits are designed to provide reasonable protection against harmful interference when the equipment is operated in a commercial environment. This equipment generates, uses, and can radiate radio frequency energy and, if not installed and used in accordance with the instruction manual, may cause harmful interference to radio communications. Operation of this equipment in a residential area is likely to cause harmful interference in which case the user will be required to correct the interference at his own expense.

PATENTS

This product is covered by one or more of the following patents.

U.S. patents: 5,992,740; 6,394,352 B1; 6,443,360 B1; 6,688,524 B1; 6,742,710 B2; 7,195,162 B2; 5,028,772; 5,124,538; 5,466,921; 5,548,107; 6,206,289 B1; 6,669,091 B2; 7,000,838 B2.

European patents: 789,315 B1; 959,426 B9; 1,096,416 B1; 1,300,798 B1; 1,217,571 B1.

Japanese patents: 4,376,353.

Additional patents pending.